

WAAS CH 53708 W13A	APP CRS 130°	Rwy ldg 8001 TDZE 18 Apt Elev 19
----------------------------------------	------------------------	-------------------------------------------------------------

RNAV (GPS) RWY 13

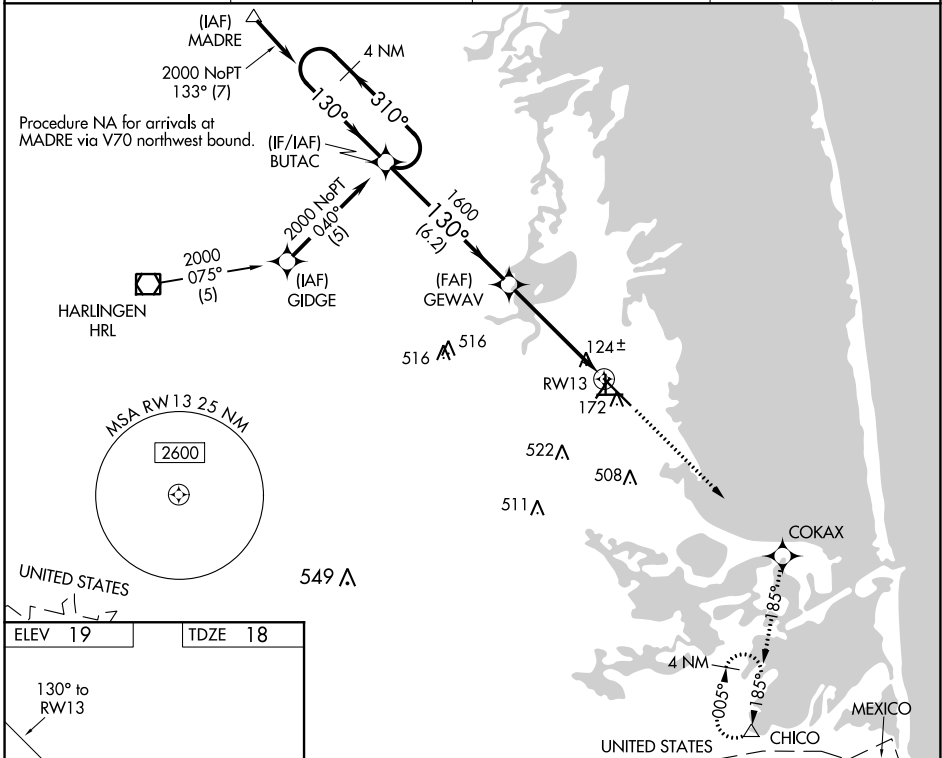
PORT ISABEL-CAMERON COUNTY (PIL)

RNP APCH

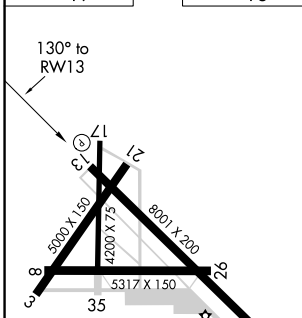
Baro-VNAV NA when using Brownsville altimeter setting. For uncompensated Baro-VNAV systems, LNAV/VNAV NA below -15°C or above 54°C. VDP NA when using Brownsville altimeter setting. When local altimeter setting not received, use Brownsville altimeter setting and increase all DA 38 feet and all MDA 40 feet, increase LPV all Cats, LNAV Cat C, and Circling Cat C visibility ¼ mile. Circling Rwy 3, 8, 17, 21, 26, 35 NA at night.

MISSED APPROACH:
Climb to 3000 direct COKAX and via 185° track to CHICO and hold.

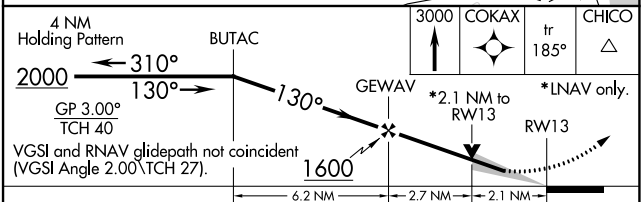
ASOS 118.525	VALLEY APP CON 119.5 257.6	CLNC DEL 119.2	UNICOM 122.8 (CTAF)
------------------------	--------------------------------------	--------------------------	-------------------------------



ELEV 19	TDZE 18
----------------	----------------



REIL Rwy 13 and 31	MIRL Rwy 13-31
--------------------	----------------



CATEGORY	A	B	C	D
LPV DA	376-1¼	358 (400-1¼)		NA
LNAV/VNAV DA	424-1½	406 (500-1½)		NA
LNAV MDA	480-1	462 (500-1)	480-1¼ 462 (500-1¼)	NA
<input checked="" type="checkbox"/> CIRCLING	540-1 521 (600-1)	620-1 601 (700-1)	840-2½ 821 (900-2½)	NA

SC-3, 22 FEB 2024 to 21 MAR 2024

SC-3, 22 FEB 2024 to 21 MAR 2024

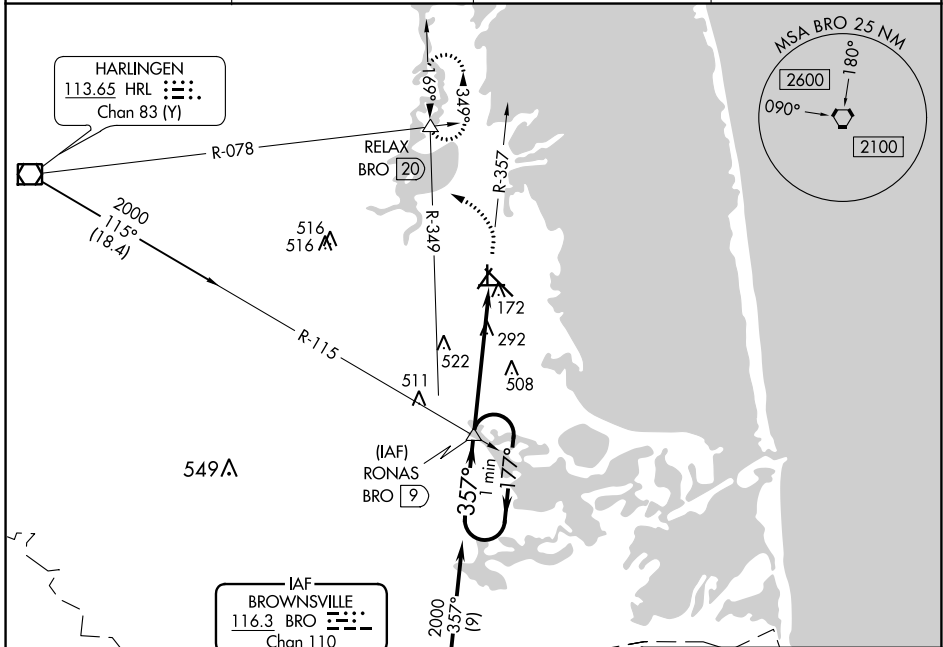
VORTAC BRO 116.3 Chan 110	APP CRS 357°	Rwy Idg TDZE Apt Elev	N/A N/A 19
----------------------------------------	------------------------	-----------------------------	---------------------------------------

VOR-A

PORT ISABEL-CAMERON COUNTY (PIL)

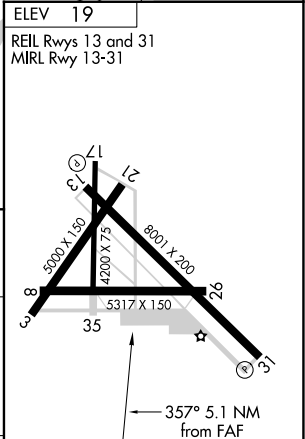
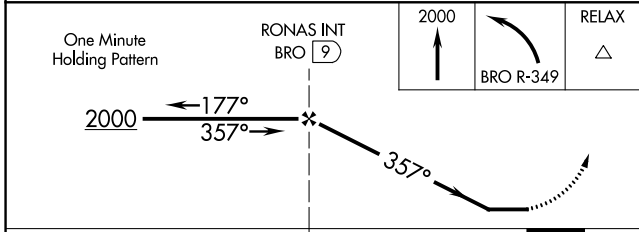
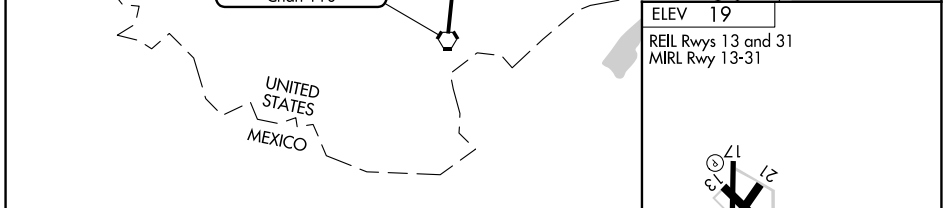
▼ When local altimeter setting not received, use Brownsville altimeter setting and increase all MDA 40 feet and increase Cat C visibility ¼ mile. Circling Rwy 3, 8, 17, 21, 26, 35 NA at night.
▲ NA MISSED APPROACH: Climb to 2000 then turn left via BRO R-349 to RELAX INT/BRO 20 DME and hold.

ASOS 118.525	VALLEY APP CON 119.5 257.6	CINC DEL 119.2	UNICOM 122.8 (CTAF)
------------------------	--------------------------------------	--------------------------	-------------------------------



SC-3, 22 FEB 2024 to 21 MAR 2024

SC-3, 22 FEB 2024 to 21 MAR 2024



CATEGORY	A	B	C	D	FAF to MAP 5.1 NM					
C CIRCLING	780-1	761 (800-1)	840-2½ 821 (900-2½)	NA	Knots	60	90	120	150	180
					Min:Sec	5:06	3:24	2:33	2:02	1:42

VOR-A

INSTRUMENT APPROACH PROCEDURE CHARTS

A IFR ALTERNATE AIRPORT MINIMUMS

Pilots must review the IFR Alternate Minimums Notes to determine alternate airport suitability.

ANA designation on the approach chart means that pilots may not use that approach as an alternate due to unmonitored facility, absence of weather reporting service, or lack of adequate navigation coverage. Approaches with the **A**NA designation are not listed in this section. **A** designation on the approach chart indicates that the approach procedure has non-standard minimums (for aircraft other than helicopters) or restrictions (for all users) for its use as an alternate.

Alternate Minima (ref: 14 CFR 91.169)

	Precision Approach	Non-Precision Approach
Standard	600-2	800-2
A Non-Standard or restrictions	As indicated below	As indicated below
Helicopters	For the selected approach: Ceiling: 200' above published ceiling Visibility: the greater of 1 SM visibility or the published visibility	
US Military (USA/USN/USAF)	See Service Regulations	

Note: For alternate airport flight planning purposes, precision approach operations include: ILS, PAR, and GLS, and Non-Precision approach operations include: NDB, VOR, LOC, TACAN, LDA, SDF, ASR, RNAV (GPS) and RNAV (RNP).

NAME ALTERNATE MINIMUMS

ALICE, TX

ALICE INTL (ALI).....**LOC/DME Rwy 31¹²**
RNAV (GPS) Rwy 13¹
RNAV (GPS) Rwy 31¹²
VOR Rwy 31¹²
VOR-A³

¹NA when local weather not available.
²Category D, 800-2¼.
³Categories A, B, 900-2; Category C, 900-2¼, Category D, 900-3.

ALPINE, TX

ALPINE-CASPARIS
MUNI (E38).....**RNAV (GPS) Rwy 19¹**
RNAV (GPS) Rwy 23²

¹Category B, 1000-2; Category C, 1300-3.
²Category A, 900-2; Category B, 1000-2; Category C, 1300-3.

AUSTIN, TX

AUSTIN
EXEC (EDC).....**RNAV (GPS) Rwy 13**
RNAV (GPS) Rwy 31

NA when local weather not available.

NAME ALTERNATE MINIMUMS

AUSTIN, TX (CON'T)

AUSTIN-BERGSTROM
INTL (AUS).....**ILS or LOC Rwy 18L¹**
ILS or LOC Rwy 36R¹
RNAV (GPS) Y Rwy 18L²
RNAV (GPS) Y Rwy 18R²
RNAV (GPS) Y Rwy 36L²
RNAV (GPS) Y Rwy 36R²

¹LOC, Category E, 1000-3.
²Category E, 1000-3.

SAN MARCOS

RGNL (HYI).....**NDB Rwy 13¹**
RNAV (GPS) Rwy 8²
RNAV (GPS) Rwy 13²
RNAV (GPS) Rwy 17²
RNAV (GPS) Rwy 26²
RNAV (GPS) Rwy 31²
RNAV (GPS) Rwy 35²

NA when local weather not available.
¹Category D, 800-2¼.
²Category D, 800-2¼; Category E, 800-2¼.

BEEVILLE, TX

BEEVILLE MUNI (BEA).....**RNAV (GPS) Rwy 30**
Category C, 800-2¼.

BIG LAKE, TX

REAGAN COUNTY (E41).....**RNAV (GPS) Rwy 16**
NA when local weather not available.
Category C, 800-2¼.

NAME ALTERNATE MINIMUMS

BRADY, TX

CURTIS FLD (BBD).....RNAV (GPS) Rwy 17
RNAV (GPS) Rwy 35

NA when local weather not available.

BROWNSVILLE, TX

BROWNSVILLE/SOUTH PADRE ISLAND
INTL (BRO).....ILS or LOC Rwy 13¹
LOC BC Rwy 31¹
RNAV (GPS) Rwy 13
RNAV (GPS) Rwy 18
RNAV (GPS) Rwy 31
VOR or TACAN-A

NA when local weather not available.

¹NA when control tower closed.

BROWNWOOD, TX

BROWNWOOD
RGNL (BWD).....LOC Rwy 17
RNAV (GPS) Rwy 17
VOR Rwy 35

NA when local weather not available.

Category D, 800-2½.

BURNET, TX

BURNET MUNI/KATE CRADDOCK
FLD (BMQ).....RNAV (GPS) Rwy 1
RNAV (GPS) Rwy 19

NA when local weather not available.

CASTROVILLE, TX

CASTROVILLE
MUNI (CVB).....RNAV (GPS) Rwy 16
RNAV (GPS) Rwy 34

NA when local weather not available.

Category C, 900-2¼.

COLEMAN, TX

COLEMAN MUNI (COM).....RNAV (GPS) Rwy 15
RNAV (GPS) Rwy 33¹

NA when local weather not available.

¹Category C, 800-2¼.

COMANCHE, TX

COMANCHE
COUNTY-CITY (MKN).....RNAV (GPS) Rwy 17
RNAV (GPS) Rwy 35

NA when local weather not available.

NAME ALTERNATE MINIMUMS

CORPUS CHRISTI, TX

CORPUS CHRISTI
INTL (CRP).....ILS or LOC Rwy 13¹
ILS or LOC Rwy 36¹
LOC Rwy 31²
RNAV (GPS) Rwy 18²
RNAV (GPS) X Rwy 31²
RNAV (GPS) Y Rwy 13²
RNAV (GPS) Y Rwy 31²
RNAV (GPS) Y Rwy 36²
VOR or TACAN Rwy 18²

¹LOC, Category C, 800-2¼; Category D, 800-2¼;

Category E, 800-2¼.

²Category C, 800-2¼; Category D, 800-2¼;

Category E, 800-2¼.

COTULLA, TX

COTULLA-LA SALLE
COUNTY (COT).....VOR-A
NA when local weather not available.

DEL RIO, TX

DEL RIO INTL (DRT).....RNAV (GPS) Rwy 13¹
VOR-A²³

NA when local weather not available.

¹Category D, 800-2¼.

²NA when Del Rio APP CON closed.

³Category C, 800-2¼. Category D, 800-2¼.

EDINBURG, TX

SOUTH TEXAS INTL AT
EDINBURG (EBG).....RNAV (GPS) Rwy 14
RNAV (GPS) Rwy 32

Category D, 800-2¼.

EL PASO, TX

EL PASO INTL (ELP).....ILS or LOC Rwy 22¹
LOC/DME Rwy 4²
RADAR-1³⁴
RNAV (GPS) Rwy 26R²
RNAV (GPS) X Rwy 4²
RNAV (GPS) Y Rwy 22²
RNAV (GPS) Y Rwy 26L²
VOR Rwy 26L³

¹LOC, Category D, 800-2¼; Category E, 800-2¼.

²Category D, 800-2¼.

³Category D, 800-2¼; Category E, 800-2¼.

⁴NA when local weather not available.

FALFURRIAS, TX

BROOKS
COUNTY (BKS).....RNAV (GPS) Rwy 17
RNAV (GPS) Rwy 35

Category C, 900-2½; Category D, 900-2¼.

22 FEB 2024 to 21 MAR 2024

22 FEB 2024 to 21 MAR 2024

NAME ALTERNATE MINIMUMS

FORT CAVAZOS (KILLEEN), TX
ROBERT GRAY
AAF (GRK).....**ILS or LOC Rwy 15¹**
ILS or LOC Rwy 33¹
RNAV (GPS) Rwy 15²
RNAV (GPS) Rwy 33²

¹LOC, Category E, 800-2½.
²Category E, 800-2½.

FORT STOCKTON, TX
FORT STOCKTON-PECOS
COUNTY (FST).....**RNAV (GPS) Rwy 12¹**
RNAV (GPS) Rwy 30¹
VOR Rwy 12

Category D, 800-2½.
¹NA when local weather not available.

FREDERICKSBURG, TX
GILLESPIE
COUNTY (T82).....**RNAV (GPS) Rwy 14**
RNAV (GPS) Rwy 32
VOR/DME-A

NA when local weather not available.
Category C, 900-2½.

GEORGETOWN, TX
GEORGETOWN
EXEC (GTU).....**RNAV (GPS) Rwy 11¹**
RNAV (GPS) Rwy 18
RNAV (GPS) Rwy 29¹
RNAV (GPS) Rwy 36

Category D, 900-2¾.
¹NA when local weather not available.

HARLINGEN, TX
VALLEY INTL (HRL).....**ILS or LOC Rwy 17R¹²**
LOC/DME BC Rwy 35L¹
RNAV (GPS) Rwy 17L²
RNAV (GPS) Rwy 35R²
RNAV (GPS) Y Rwy 13¹²
RNAV (GPS) Y Rwy 17R¹²
RNAV (GPS) Y Rwy 35L¹²
VOR Rwy 17L²
VOR/DME Y or TACAN Rwy 31²³

¹NA when control tower closed.
²NA when local weather not available.
³Categories A, B, 1000-2;
Categories C, D, 1000-3.

HEBRONVILLE, TX
JIM HOGG
COUNTY (HBV).....**RNAV (GPS) Rwy 13**
NA when local weather not available.

HONDO, TX
SOUTH TEXAS RGNL
AT HONDO (HDO).....**RNAV (GPS) Rwy 17L**
RNAV (GPS) Rwy 35R
NA when local weather not available.

NAME ALTERNATE

INGLESIDE, TX
MC CAMPBELL-
PORTER (TFP).....**RNAV (GPS) Rwy 13**
RNAV (GPS) Rwy 31
NA when local weather not available.
Category C, 900-2½; Category D, 1000-3.

KENEDY, TX
KENEDY
RGNL (2R9).....**RNAV (GPS) Rwy 34**
NA when local weather not available.

KERRVILLE, TX
KERRVILLE MUNI/LOUIS SCHREINER
FLD (ERV).....**RNAV (GPS) Rwy 12¹**
RNAV (GPS) Rwy 30²
VOR-A³

NA when local weather not available.
¹Category C, 800-2¾; Category D, 1000-3.
²Category C, 800-2¾.
³Categories A, B, 900-2, Category C, 900-2½.

LAMPASAS, TX
LAMPASAS (LZZ).....**VOR-A**
NA when local weather not available.

LAREDO, TX
LAREDO
INTL (LRD).....**ILS or LOC Rwy 18R¹²**
LOC BC Rwy 36L¹²
RNAV (GPS) Rwy 14³
RNAV (GPS) Rwy 18L³
RNAV (GPS) Rwy 18R³
RNAV (GPS) Rwy 32³
RNAV (GPS) Rwy 36L³
VOR or TACAN Rwy 14³
VOR or TACAN Rwy 32³

¹NA when control tower closed.
²LOC, Category D, 800-2¾; Category E, 800-2½.
³Category D, 800-2¾; Category E, 800-2½.

LLANO, TX
LLANO MUNI (AQO).....**RNAV (GPS) Rwy 17**
RNAV (GPS) Rwy 35
VOR-A
NA when local weather not available.

MARFA, TX
MARFA MUNI (MRF).....**RNAV (GPS) Rwy 31**
VOR Rwy 31
Category D, 1000-3.

NAME ALTERNATE MINIMUMS

NAME ALTERNATE

MC ALLEN, TX

MC ALLEN

INTL (MFE).....ILS or LOC Rwy 14¹
ILS or LOC Rwy 32²
RNAV (GPS) Rwy 14²
RNAV (GPS) Rwy 32²
VOR Rwy 14²
VOR Rwy 32²

NA when local weather not available.

¹ILS, Category D, 700-2¼; LOC, Category D, 800-2¼.

²Category D, 800-2¼.

MIDLAND, TX

MIDLAND

AIRPARK (MDD).....RNAV (GPS) Rwy 25¹
RNAV (GPS) Rwy 34
VOR Rwy 25¹

NA when local weather not available.

¹Category D, 900-3.

MIDLAND INTL AIR AND SPACE

PORT (MAF).....ILS or LOC Rwy 10¹²
VOR or TACAN Rwy 34L³
VOR or TACAN Rwy 16R³

¹ILS, Category D, 700-2; Category E, 800-2½;

LOC, Category E, 800-2½.

²NA when control tower closed.

³Category E, 800-2½.

NEW BRAUNFELS, TX

NEW BRAUNFELS

NTL (BAZ).....RNAV (GPS) Rwy 13
RNAV (GPS) Rwy 17
RNAV (GPS) Rwy 31
RNAV (GPS) Rwy 35

NA when local weather not available.

ODESSA, TX

ODESSA-SCHLEMEYER

FLD (ODO).....RNAV (GPS) Rwy 11
RNAV (GPS) Rwy 20
RNAV (GPS) Rwy 29
VOR-A

NA when local weather not available.

PECOS, TX

PECOS MUNI (PEQ).....RNAV (GPS) Rwy 14
RNAV (GPS) Rwy 32

NA when local weather not available.

Category C, 800-2¼; Category D, 800-2½.

PLEASANTON, TX

PLEASANTON

MUNI (PEZ).....RNAV (GPS) Rwy 34

NA when local weather not available.

PORT ARANSAS, TX

MUSTANG

BEACH (RAS).....RNAV (GPS) Rwy 12
RNAV (GPS) Rwy 30

NA when local weather not available.

PORT ISABEL, TX

PORT ISABEL-CAMERON

COUNTY (PIL).....RNAV (GPS) Rwy 13

NA when local weather not available.

ROBSTOWN, TX

NUECES

COUNTY (RBO).....RNAV (GPS) Rwy 13
RNAV (GPS) Rwy 31

NA when local weather not available.

ROCKPORT, TX

ARANSAS

COUNTY (RKP).....RNAV (GPS) Rwy 14
RNAV (GPS) Rwy 18
RNAV (GPS) Rwy 32
RNAV (GPS) Rwy 36
VOR or TACAN-A¹

NA when local weather not available.

¹Category C, 800-2¼.

ROCKSPRINGS, TX

EDWARDS

COUNTY (ECU).....VOR Rwy 14

NA when local weather not available.

SAN ANGELO, TX

SAN ANGELO RGNL/

MATHIS FLD (SJT).....ILS Y or LOC Y Rwy 3¹²
NDB Rwy 3³
RNAV (GPS) Rwy 3⁴
RNAV (GPS) Rwy 18⁴
RNAV (GPS) Rwy 21⁴
RNAV (GPS) Rwy 36⁴
VOR/DME or TACAN Rwy 3⁴

¹LOC, Category D, 800-2½; Category E, 800-2¼.

²LOC, NA when control tower closed.

³NA when control tower closed.

⁴Category D, 800-2½; Category E, 800-2¼.

22 FEB 2024 to 21 MAR 2024

22 FEB 2024 to 21 MAR 2024

NAME ALTERNATE MINIMUMS

SAN ANTONIO, TXBOERNE STAGE
AIRFIELD (5C1).....RNAV (GPS) Rwy 17
RNAV (GPS) Rwy 35

NA when local weather not available.

SAN ANTONIOINTL (SAT).....ILS or LOC Rwy 13R¹
ILS or LOC Rwy 31L¹
RNAV (GPS) Y Rwy 4²
RNAV (GPS) Y Rwy 13R²
RNAV (GPS) Y Rwy 22²
RNAV (GPS) Y Rwy 31L²¹LOC, Category D, 800-2¼.²Category D, 800-2¼.**SINTON, TX**ALFRED C BUBBA
THOMAS (T69).....RNAV (GPS) Rwy 14
RNAV (GPS) Rwy 32
VOR Rwy 14

NA when local weather not available.

SONORA, TXSONORA MUNI (SOA).....RNAV (GPS) Rwy 18
NA when local weather not available.
Category A, 900-2; Category B, 1000-2.**TAYLOR, TX**TAYLOR
MUNI (T74).....RNAV (GPS) Rwy 17
VOR Rwy 17

NA when local weather not available.

TEMPLE, TXDRAUGHON-MILLER CENTRAL
TEXAS RGNL (TPL).....RNAV (GPS) Rwy 16
RNAV (GPS) Rwy 34

NA when local weather not available.

Category D, 800-2¼.

UVALDE, TXGARNER FLD (UVA).....RNAV (GPS) Rwy 33
Category D, 800-2¼.**VAN HORN, TX**CULBERSON
COUNTY (VHN).....RNAV (GPS) Rwy 21
Category D, 1700-3.**WACO, TX**TSTC WACO (CNW).....NDB Rwy 35R¹²
RNAV (GPS) Rwy 17L
RNAV (GPS) Rwy 35R

NA when local weather not available.

¹NA when Waco Rgnl approach control closed.²Category D, 800-2¼.

NAME ALTERNATE

WACO, TX (CON'T)MC GREGOR
EXEC (PWG).....RNAV (GPS) Rwy 17
RNAV (GPS) Rwy 35

NA when local weather not available.

WACO RGNL (ACT).....ILS or LOC Rwy 19¹
RNAV (GPS) Rwy 1
RNAV (GPS) Rwy 14
RNAV (GPS) Rwy 19
RNAV (GPS) Rwy 32
VOR/DME Rwy 32

NA when local weather not available.

¹NA when control tower closed.**WESLACO, TX**MID
VALLEY (TXW).....RNAV (GPS) Rwy 14¹
VOR-A

NA when local weather not available.

¹Category D, 900-2¼.**WINK, TX**WINKLER
COUNTY (INK).....RNAV (GPS) Rwy 13
RNAV (GPS) Rwy 31
VOR Rwy 13

NA when local weather not available.

Category C, 800-2¼.

TAKEOFF MINIMUMS, (OBSTACLE) DEPARTURE PROCEDURES, AND DIVERSE VECTOR AREA (RADAR VECTORS)

23334

INSTRUMENT APPROACH PROCEDURE CHARTS

IFR TAKEOFF MINIMUMS AND (OBSTACLE) DEPARTURE PROCEDURES

Civil Airports and Selected Military Airports

ALL USERS: Airports that have Departure Procedures (DPs) designed specifically to assist pilots in avoiding obstacles during the climb to the minimum enroute altitude, and/or airports that have civil IFR takeoff minimums other than standard, are listed below. Takeoff Minimums and Departure Procedures apply to all runways unless otherwise specified. An entry may also be listed that contains only Takeoff Obstacle Notes. Altitudes, unless otherwise indicated, are minimum altitudes in MSL.

DPs specifically designed for obstacle avoidance are referred to as Obstacle Departure Procedures (ODPs) and are textually described below, or published separately as a graphic procedure. If the ODP is published as a graphic procedure, its name will be listed below, and it can be found in either this volume (civil), or the applicable military volume, as appropriate. Users will recognize graphic obstacle DPs by the term "(OBSTACLE)" included in the procedure title; e.g., TETON TWO (OBSTACLE). If not specifically assigned an ODP, SID, or RADAR vector as part of an IFR clearance, an ODP may be required to be flown for obstacle clearance, even though not specifically stated in the IFR clearance. When doing so in this manner, ATC should be informed when the ODP being used contains a specified route to be flown, restrictions before turning, and/or altitude restrictions.

Some ODPs, which are established solely for obstacle avoidance, require a climb in visual conditions to cross the airport, a fix, or a NAVAID in a specified direction, at or above a specified altitude. These procedures are called Visual Climb Over Airport (VCOA). To ensure safe and efficient operations, the pilot must verbally request approval from ATC to fly the VCOA when requesting their IFR clearance.

At some locations where an ODP has been established, a diverse vector area (DVA) may be created to allow RADAR vectors to be used in lieu of an ODP. DVA information will state that headings will be as assigned by ATC and climb gradients, when applicable, will be published immediately following the specified departure procedure.

Graphic DPs designed by ATC to standardize traffic flows, ensure aircraft separation and enhance capacity are referred to as "Standard Instrument Departures (SIDs)". SIDs also provide obstacle clearance and are published under the appropriate airport section. ATC clearance must be received prior to flying a SID.

CIVIL USERS NOTE: Title 14 Code of Federal Regulations Part 91 prescribes standard takeoff rules and establishes takeoff minimums for certain operators as follows: (1) For aircraft, other than helicopters, having two engines or less – one statute mile visibility. (2) For aircraft having more than two engines – one-half statute mile visibility. (3) For helicopters – one-half statute mile visibility. These standard minima apply in the absence of any different minima listed below.

MILITARY USERS NOTE: Civil (nonstandard) takeoff minima are published below. For military takeoff minima, refer to appropriate service directives.

ALICE, TX

ALICE INTL (ALI)

TAKEOFF MINIMUMS AND (OBSTACLE) DEPARTURE PROCEDURES

ORIG-A 07SEP23 (23250) (FAA)

TAKEOFF OBSTACLE NOTES:

Rwy 17, trees beginning 205' from DER, 254' left of centerline, up to 194' MSL.

Tree 403' from DER, 316' right of centerline, 194' MSL.

Poles beginning 601' from DER, 179' right of centerline, up to 34' AGL/204' MSL.

Tree, poles beginning 618' from DER, 139' left of centerline, up to 203' MSL.

Rwy 31, pole 2' from DER, 251' right of centerline, 4' AGL/181' MSL.

Building 159' from DER, 44' left of centerline, 187' MSL.

Vertical structure, tree beginning 388' from DER, 256' left of centerline, up to 199' MSL.

Tree 1072' from DER, 358' right of centerline, 207' MSL.

Rwy 35, vegetation 330' from DER, 287' right of centerline, 185' MSL.

Tree 1154' from DER, 69' right of centerline, 202' MSL.

Windmill 1461' from DER, 164' left of centerline, 42' AGL/214' MSL.

TAKEOFF MINIMUMS, (OBSTACLE) DEPARTURE PROCEDURES, AND DIVERSE VECTOR AREA (RADAR VECTORS)

23334

SC-3

TAKEOFF MINIMUMS, (OBSTACLE) DEPARTURE PROCEDURES, AND DIVERSE VECTOR AREA (RADAR VECTORS)

23334

ALPINE, TX

ALPINE-CASPARIS MUNI (E38)

TAKEOFF MINIMUMS AND (OBSTACLE) DEPARTURE PROCEDURES

AMDT 6 27JAN22 (22027) (FAA)

DEPARTURE PROCEDURE:

Use ODKAE DEPARTURE.

TAKEOFF OBSTACLE NOTES:

Rwy 1, fence 9' from DER, 283' left of centerline, 9' AGL/4458' MSL.

Sign 13' from DER, 239' right of centerline, 4452' MSL.

Vehicle on road 85' from DER, 278' left of centerline, 15' AGL/4463' MSL.

Pole 811' from DER, 470' right of centerline, 4470' MSL.

Rwy 5, sign 13' from DER, 239' left of centerline, 4452' MSL.

Sign 18' from DER, 164' right of centerline, 4453' MSL.

Antenna, vehicle on road, pole beginning 21' from DER, 400' right of centerline, up to 25' AGL/4474' MSL.

Tree 190' from DER, 468' left of centerline, 11' AGL/4455' MSL.

Trees beginning 292' from DER, 475' left of centerline, up to 19' AGL/4462' MSL.

Poles, tree beginning 480' from DER, 187' right of centerline, up to 4478' MSL.

Pole 612' from DER, 626' left of centerline, 33' AGL/4472' MSL.

Pole 1060' from DER, 658' left of centerline, 4476' MSL.

Rwy 19, vehicle on road, sign, tree beginning 1' from DER, 165' left of centerline, up to 4526' MSL.

Terrain 57' from DER, 121' right of centerline, 4516' MSL.

Vehicle on road 74' from DER, 276' right of centerline, 15' AGL/4531' MSL.

Vehicle on road 230' from DER, 290' left of centerline, 4527' MSL.

Vehicles on road beginning 293' from DER, 277' right of centerline, up to 4535' MSL.

Vehicles on road beginning 379' from DER, 265' right of centerline, up to 4536' MSL.

Vehicle on road 420' from DER, 289' left of centerline, 4528' MSL.

Pole 536' from DER, 573' left of centerline, 4548' MSL.

Windmill, vehicle on road, poles, tree beginning 548' from DER, 183' left of centerline, up to 4554' MSL.

Poles beginning 1325' from DER, 60' right of centerline, up to 4561' MSL.

Poles beginning 1334' from DER, 279' left of centerline, up to 4556' MSL.

Pole 1565' from DER, 689' right of centerline, 4562' MSL.

Terrain 2.4 NM from DER, 2888' left of centerline, 4927' MSL.

AUSTIN, TX

AUSTIN-BERGSTROM INTL (AUS)

TAKEOFF MINIMUMS AND (OBSTACLE) DEPARTURE PROCEDURES

AMDT 2A 22APR21 (21112) (FAA)

DEPARTURE PROCEDURE:

Rwy 36L, climb on heading 355° to 1700 before turning left.**Rwy 36R**, climb on heading 355° to 1300 before turning left.

TAKEOFF OBSTACLE NOTES:

Rwy 18L, lighting 10' from DER, 4' right of centerline, 1' AGL/475' MSL.

Trees beginning 491' from DER, 560' left of centerline, up to 43' AGL/499' MSL.

Tree 552' from DER, 641' right of centerline, 29' AGL/494' MSL.

Trees beginning 562' from DER, 487' left of centerline, up to 44' AGL/501' MSL.

Tree 617' from DER, 571' right of centerline, 37' AGL/495' MSL.

Trees beginning 643' from DER, 472' left of centerline, up to 517' MSL.

Tree 674' from DER, 647' right of centerline, 50' AGL/499' MSL.

Trees beginning 721' from DER, 523' right of centerline, up to 50' AGL/504' MSL.

Trees beginning 756' from DER, 495' right of centerline, up to 64' AGL/508' MSL.

Tree 1750' from DER, 523' right of centerline, 75' AGL/519' MSL.

Tree 1899' from DER, 810' right of centerline, 75' AGL/526' MSL.

Tree 2165' from DER, 458' right of centerline, 85' AGL/529' MSL.

Rwy 18R, lighting, sign beginning 10' from DER, 4' left of centerline, up to 2' AGL/489' MSL.

Tree 1006' from DER, 730' right of centerline, 519' MSL.

Trees beginning 1919' from DER, 541' left of centerline, up to 93' AGL/545' MSL.

Rwy 36L, lighting beginning 5' from DER, 5' right of centerline, up to 1' AGL/543' MSL.**Rwy 36R**, lighting 10' from DER, 5' left of centerline, 1' AGL/493' MSL.

Tree 816' from DER, 663' right of centerline, 528' MSL.

AUSTIN EXEC (EDC)

TAKEOFF MINIMUMS AND (OBSTACLE) DEPARTURE PROCEDURES

ORIG-A 17AUG17 (21112) (FAA)

TAKEOFF MINIMUMS:

Rwys 16, 34, NA-Environmental.

TAKEOFF OBSTACLE NOTES:

Rwy 31, pole and trees beginning 900' from DER, 258' left of centerline, up to 669' MSL.

Transmission line tower 1931' from DER, 911' right of centerline, 83' AGL/670' MSL.

Transmission line tower 2325' from DER, 878' right of centerline, 89' AGL/682' MSL.

Poles beginning 2362' from DER, 590' right of centerline, up to 113' AGL/707' MSL.

Transmission line tower 2568' from DER, 1159' left of centerline, 77' AGL/697' MSL.

Transmission line tower 3692' from DER, 437' left of centerline, 122' AGL/728' MSL.

Transmission line tower 4411' from DER, 1110' left of centerline, 135' AGL/749' MSL.

TAKEOFF MINIMUMS, (OBSTACLE) DEPARTURE PROCEDURES, AND DIVERSE VECTOR AREA (RADAR VECTORS)

23334

SC-3

TAKEOFF MINIMUMS, (OBSTACLE) DEPARTURE PROCEDURES, AND DIVERSE VECTOR AREA (RADAR VECTORS)

23334

AUSTIN, TX (CON'T)

SAN MARCOS RGNL (HY1)

TAKEOFF MINIMUMS AND (OBSTACLE) DEPARTURE PROCEDURES
AMDT 2B 17AUG17 (17229) (FAA)

DEPARTURE PROCEDURE:

Rwy 31, climb heading 306° to 1500 before turning right.

Rwy 35, climb heading 006° to 2500 before turning left.

TAKEOFF OBSTACLE NOTES:

Rwy 8, sign 1' from DER, 250' left of centerline, 3' AGL/583' MSL.

Tree 942' from DER, 259' left of centerline, 612' MSL.

Rwy 13, tree 2505' from DER, 194' right of centerline, 71' AGL/637' MSL.

Tree 2615' from DER, 90' right of centerline, 75' AGL/639' MSL.

Trees beginning 2639' from DER, 139' right of centerline, up to 80' AGL/646' MSL.

Rwy 17, bush 26' from DER, 74' left of centerline, 2' AGL/576' MSL.

Rwy 26, REIL 9' from DER, 90' right of centerline, 4' AGL/589' MSL.

Tree 1073' from DER, 684' right of centerline, 621' MSL.

Poles and trees beginning 1206' from DER, 394' right of centerline, up to 50' AGL/638' MSL.

Rwy 31, trees beginning 912' from DER, 613' right of centerline, up to 622' MSL.

Pole and tree beginning 1046' from DER, 630' right of centerline, up to 34' AGL/631' MSL.

Tree 1287' from DER, 718' left of centerline, 627' MSL.

Rwy 35, sign 25' from DER, 198' left of centerline, 3' AGL/597' MSL.

Tree 2562' from DER, 1113' left of centerline, 659' MSL.

Tree 3227' from DER, 162' left of centerline, 54' AGL/676' MSL.

Trees beginning 3540' from DER, 51' left of centerline, up to 52' AGL/687' MSL.

Tree 3655' from DER, 362' right of centerline, 54' AGL/692' MSL.

Trees beginning 3664' from DER, 11' right of centerline, up to 54' AGL/693' MSL.

Tree 3727' from DER, 81' left of centerline, 52' AGL/688' MSL.

Tree 3741' from DER, 94' left of centerline, 52' AGL/690' MSL.

Tree 3972' from DER, 40' left of centerline, 48' AGL/696' MSL.

Tree 4131' from DER, 37' right of centerline, 42' AGL/699' MSL.

Tree 4146' from DER, 33' right of centerline, 43' AGL/700' MSL.

Pole and trees beginning 4150' from DER, 15' right of centerline, up to 44' AGL/702' MSL.

Tree 4209' from DER, 10' left of centerline, 39' AGL/701' MSL.

Tree 4222' from DER, 73' right of centerline, 42' AGL/704' MSL.

Tree 4225' from DER, 25' left of centerline, 38' AGL/702' MSL.

Trees beginning 4229' from DER, 35' right of centerline, up to 47' AGL/708' MSL.

Trees beginning 4406' from DER, 160' right of centerline, up to 36' AGL/709' MSL.

Trees beginning 4426' from DER, 278' right of centerline, up to 36' AGL/711' MSL.

Pole, buildings, and trees beginning 4435' from DER, 123' right of centerline, up to 47' AGL/720' MSL.

Pole 4450' from DER, 16' left of centerline, 36' AGL/707' MSL.

Pole, telephone line, and trees beginning 4554' from DER, 10' right of centerline, up to 35' AGL/722' MSL.

Tree 4785' from DER, 1629' left of centerline, 716' MSL.

Trees beginning 5071' from DER, 1533' left of centerline, up to 49' AGL/738' MSL.

BALLINGER, TX

BRUCE FLD (E30)

TAKEOFF MINIMUMS AND (OBSTACLE) DEPARTURE PROCEDURES
ORIG 22SEP11 (22139) (FAA)

TAKEOFF OBSTACLE NOTES:

Rwy 17, trees beginning 1902' from DER, 661' right of centerline, up to 100' AGL/1859' MSL.

Rwy 35, trees, building, and road beginning 29' from DER, 210' left of centerline, up to 100' AGL/1839' MSL.

Tree and poles beginning 887' from DER, 429' right of centerline, up to 37' AGL/1772' MSL.

BEEVILLE, TX

BEEVILLE MUNI (BEA)

TAKEOFF MINIMUMS AND (OBSTACLE) DEPARTURE PROCEDURES
ORIG-A 26MAY16 (16147) (FAA)

TAKEOFF MINIMUMS:

Rwys 18, 36, NA-environmental.

Rwy 30, 300-2 or std. w/ min. climb of 239' per NM to 700.

TAKEOFF OBSTACLE NOTES:

Rwy 12, pole, and trees beginning 64' from DER, 290' right of centerline, up to 29' AGL/272' MSL.

Tree, road, and pole beginning 153' from DER, 9' right of centerline, up to 33' AGL/275' MSL.

Trees beginning 756' from DER, 50' left of centerline, up to 279' MSL.

Trees and pole beginning 933' from DER, 30' right of centerline, up to 282' MSL.

Rwy 30, pole, tree, and building beginning 117' from DER, 290' left of centerline, up to 32' AGL/301' MSL.

Tree 1054' from DER, 574' left of centerline, 307' MSL.

Tree 1835' from DER, 452' right of centerline, 319' MSL.

Pole and trees beginning 1875' from DER, 287' left of centerline, up to 323' MSL.

Tree beginning 1907' from DER, 246' right of centerline, up to 53' AGL/339' MSL.

Trees and poles beginning 1934' from DER, 100' left of centerline, up to 336' MSL.

Tower 1.4 NM from DER, 2568' right of centerline, 230' AGL/542' MSL.

TAKEOFF MINIMUMS, (OBSTACLE) DEPARTURE PROCEDURES, AND DIVERSE VECTOR AREA (RADAR VECTORS)

23334

SC-3

TAKEOFF MINIMUMS, (OBSTACLE) DEPARTURE PROCEDURES, AND DIVERSE VECTOR AREA (RADAR VECTORS)

23334

BIG LAKE, TX

REAGAN COUNTY (E41)

TAKEOFF MINIMUMS AND (OBSTACLE) DEPARTURE PROCEDURES

AMDT 3 05OCT23 (23278) (FAA)

TAKEOFF MINIMUMS:

Rwys 9, 27, NA-Environmental.

DEPARTURE PROCEDURE:

Rwy 16, climb on heading 161° to 3300 before turning left

TAKEOFF OBSTACLE NOTES:

Rwy 16, trees, poles beginning 345' from DER, 148' right of centerline, up to 100' AGL/2809' MSL.

Trees, poles beginning 620' from DER, 267' left of centerline, up to 100' AGL/2809' MSL.

Trees beginning 3664' from DER, 1042' right of centerline, up to 100' AGL/2819' MSL.

Trees beginning 4050' from DER, 1261' right of centerline, up to 100' AGL/2829' MSL.

Rwy 34, trees beginning 350' from DER, 525' right of centerline, up to 100' AGL/2799' MSL.

BIGGS AAF (KBIF)

FORT BLISS, TX

TAKEOFF MINIMUMS AND (OBSTACLE) DEPARTURE PROCEDURES

AMDT 4 30NOV23 (23334) (USA)

DEPARTURE PROCEDURE:

Rwy 4, climbing right turn to intercept ELP VORTAC R-330 to ELP, thence...

Rwy 22, climbing left turn to intercept ELP VORTAC R-240 to ELP, thence...

Continue climb in ELP holding pattern (hold east, left turns, 261° inbound) to cross ELP at or above MEA for route of flight before proceeding on course. Procedure NA for TACAN-only equipped aircraft.

TAKEOFF OBSTACLE NOTES:

Rwy 22, twr 1980' from DER, 841' left of centerline, 63' AGL/3962' MSL.

BRADY, TX

CURTIS FLD (BBD)

TAKEOFF MINIMUMS AND (OBSTACLE) DEPARTURE PROCEDURES

ORIG 14FEB08 (22139) (FAA)

TAKEOFF MINIMUMS:

Rwys 8, 26, NA-Environmental.

TAKEOFF OBSTACLE NOTES:

Rwy 17, Light poles, trees, fence, terrain, and vehicle on road beginning 50' from DER, 362' left of centerline, up to 30' AGL/1827' MSL.

Trees beginning 17' from DER, 216' right of centerline, up to 30' AGL/1818' MSL.

BROWNSVILLE, TX

BROWNSVILLE/SOUTH PADRE ISLAND INTL (BRO)

TAKEOFF MINIMUMS AND (OBSTACLE) DEPARTURE PROCEDURES

ORIG-A 13OCT16 (16287) (FAA)

TAKEOFF OBSTACLE NOTES:

Rwy 13, trees and bushes beginning 32' from DER, 399' left of centerline, up to 30' AGL/50' MSL.

Trees, bushes, pole and building beginning 751' from DER, 191' right of centerline, up to 44' AGL/64' MSL.

Rwy 18, trees and pole beginning 58' from DER, 61' left of centerline, up to 53' AGL/78' MSL.

Trees and poles beginning 1011' from DER, 96' right of centerline, up to 44' AGL/69' MSL.

Rwy 31, airplanes on taxiway beginning 371' from DER, 563' right of centerline, up to 45' AGL/64' MSL.

Trees beginning 1141' from DER, 567' right of centerline, up to 37' AGL/52' MSL.

Rwy 36, pole and trees beginning 695' from DER, 140' right of centerline, up to 56' AGL/71' MSL.

Trees beginning 719' from DER, 84' left of centerline, up to 63' AGL/78' MSL.

BROWNWOOD, TX

BROWNWOOD RGNL (BWD)

TAKEOFF MINIMUMS AND (OBSTACLE) DEPARTURE PROCEDURES

ORIG 20OCT11 (11293) (FAA)

TAKEOFF OBSTACLE NOTES:

Rwy 13, trees beginning 1523' from DER, 844' right of centerline, up to 47' AGL/1412' MSL.

Rwy 17, trees beginning 797' from DER, 649' left of centerline, up to 33' AGL/1398' MSL.

Trees beginning 691' from DER, 640' right of centerline, up to 31' AGL/1393' MSL.

Building 737' from DER, 253' right of centerline, 29' AGL/1391' MSL.

Rwy 35, trees beginning 77' from DER, 272' left of centerline, up to 49' AGL/1411' MSL.

Trees beginning 771' from DER, 282' right of centerline, up to 46' AGL/1418' MSL.

TAKEOFF MINIMUMS, (OBSTACLE) DEPARTURE PROCEDURES, AND DIVERSE VECTOR AREA (RADAR VECTORS)

23334

SC-3

TAKEOFF MINIMUMS, (OBSTACLE) DEPARTURE PROCEDURES, AND DIVERSE VECTOR AREA (RADAR VECTORS)

23334

BURNET, TX

BURNET MUNI/KATE CRADDOCK FLD (BMQ)

TAKEOFF MINIMUMS AND (OBSTACLE) DEPARTURE PROCEDURES

AMDT 2A 23FEB23 (23054) (FAA)

DEPARTURE PROCEDURE:

Rwy 1, climb on heading 013° to 1700 before turning left.

TAKEOFF OBSTACLE NOTES:

Rwy 1, trees beginning 502' from DER, 28' left of centerline, up to 55' AGL/1355' MSL.

Trees beginning 1160' from DER, 52' right of centerline, up to 55' AGL/1335' MSL.

Trees beginning 1502' from DER, 30' left of centerline, up to 55' AGL/1375' MSL.

Rwy 19, trees beginning 158' from DER, 63' left of centerline, up to 55' AGL/1286' MSL.

Trees beginning 1194' from DER, 15' right of centerline, up to 55' AGL/1315' MSL.

CARRIZO SPRINGS, TX

DIMMIT COUNTY (CZT)

TAKEOFF MINIMUMS AND (OBSTACLE) DEPARTURE PROCEDURES

ORIG-A 20APR23 (23110) (FAA)

DEPARTURE PROCEDURE:

Rwy 31, climb on heading 307° to 1200 before turning left.

TAKEOFF OBSTACLE NOTES:

Rwy 13, fence 9' from DER, 370' right of centerline, 593' MSL.

Tree 81' from DER, 466' left of centerline, 594' MSL.

Tree 237' from DER, 413' right of centerline, 597' MSL.

Tree 267' from DER, 453' left of centerline, 598' MSL.

Trees beginning 422' from DER, 54' right of centerline, up to 603' MSL.

Rwy 31, fence 4' from DER, 352' left of centerline, 604' MSL.

Trees, buildings beginning 56' from DER, 90' right of centerline, up to 640' MSL.

Tree 224' from DER, 537' left of centerline, 644' MSL.

Tree, building beginning 326' from DER, 442' left of centerline, up to 645' MSL.

Tree 1101' from DER, 724' left of centerline, 665' MSL.

Trees beginning 1276' from DER, 255' left of centerline, up to 669' MSL.

CASTROVILLE, TX

CASTROVILLE MUNI (CVB)

TAKEOFF MINIMUMS AND (OBSTACLE) DEPARTURE PROCEDURES

ORIG 15OCT15 (15288) (FAA)

TAKEOFF OBSTACLE NOTES:

Rwy 16, trees beginning 103' from DER, 361' left of centerline, up to 50' AGL/787' MSL.

Trees beginning 221' from DER, 347' right of centerline, up to 50' AGL/794' MSL.

Rwy 34, agriculture equipment beginning 1' from DER, 55' left of centerline, up to 15' AGL/790' MSL.

Road beginning 107' from DER, left and right of centerline, 15' AGL/789' MSL.

Trees beginning 1928' from DER, 5' right of centerline, up to 50' AGL/838' MSL.

Trees beginning 2322' from DER, 685' left of centerline, up to 50' AGL/851' MSL.

Pole 1483' from DER, 834' right of centerline, 37' AGL/816' MSL.

Pole 2255' from DER, 247' right of centerline, 52' AGL/831' MSL.

Antenna on silo 2239' from DER, 911' left of centerline, 88' AGL/870' MSL.

COLEMAN, TX

COLEMAN MUNI (COM)

TAKEOFF MINIMUMS AND (OBSTACLE) DEPARTURE PROCEDURES

ORIG 10MAR11 (11069) (FAA)

TAKEOFF OBSTACLE NOTES:

Rwy 15, trees beginning 792' from DER, 67' right of centerline, up to 100' AGL/1774' MSL.

Rwy 33, cranes beginning 1010' from DER, 28' left of centerline, up to 65' AGL/1774' MSL.

Cranes beginning 2285' from DER, 13' right of centerline, up to 65' AGL/1774' MSL.

COMANCHE, TX

COMANCHE COUNTY-CITY (MKN)

TAKEOFF MINIMUMS AND (OBSTACLE) DEPARTURE PROCEDURES

AMDT 1 30JAN20 (20030) (FAA)

DEPARTURE PROCEDURE:

Rwy 17, climb heading 173° to 2000 before turning right.

TAKEOFF OBSTACLE NOTES:

Rwy 17, building, terrain, tree, vehicle on road beginning 32' from DER, 260' right of centerline, up to 1395' MSL.

Terrain, trees, pole beginning 191' from DER, 310' left of centerline, up to 1411' MSL.

Trees, pole beginning 718' from DER, 20' left of centerline, up to 1425' MSL.

Pole, trees, building beginning 784' from DER, 25' right of centerline, up to 1419' MSL.

Trees, poles beginning 1090' from DER, 25' left of centerline, up to 1430' MSL.

Tree 1382' from DER, 280' right of centerline, 1422' MSL.

Trees, poles beginning 1451' from DER, 18' right of centerline, up to 1436' MSL.

Tree 2280' from DER, 70' right of centerline, 1438' MSL.

CONT

TAKEOFF MINIMUMS, (OBSTACLE) DEPARTURE PROCEDURES, AND DIVERSE VECTOR AREA (RADAR VECTORS)

23334

TAKEOFF MINIMUMS, (OBSTACLE) DEPARTURE PROCEDURES, AND DIVERSE VECTOR AREA (RADAR VECTORS)

23334

COMANCHE, TX (CON'T)

COMANCHE COUNTY-CITY (MKN) (CON'T)

Rwy 17 (CON'T), tree 2291' from DER, 83' left of centerline, 1436' MSL.
 Trees beginning 2334' from DER, 155' right of centerline, up to 1444' MSL.
 Trees beginning 2378' from DER, 56' right of centerline, up to 1446' MSL.
 Trees beginning 2379' from DER, 74' left of centerline, up to 1438' MSL.
 Tree 2463' from DER, 294' right of centerline, 1448' MSL.
 Trees, pole beginning 2467' from DER, 62' right of centerline, up to 1463' MSL.
 Tree 2558' from DER, 19' left of centerline, 1443' MSL.
 Tree 2757' from DER, 314' left of centerline, 1446' MSL.
 Tree 3120' from DER, 344' left of centerline, 1461' MSL.
 Trees beginning 3132' from DER, 246' left of centerline, up to 1466' MSL.
Rwy 35, tree 54' from DER, 354' left of centerline, 1406' MSL.
 Tree 481' from DER, 345' right of centerline, 1404' MSL.
 Trees beginning 489' from DER, 436' right of centerline, up to 1408' MSL.

CORPUS CHRISTI, TX

CORPUS CHRISTI INTL (CRP)

TAKEOFF MINIMUMS AND (OBSTACLE) DEPARTURE PROCEDURES

AMDT 3 26MAY16 (16147) (FAA)

TAKEOFF MINIMUMS:

Rwy 36, 400-2% or std. w/ min. climb of 235' per NM to 600.

DEPARTURE PROCEDURE:

Rwy 31, Climb heading 312° to 600 before turning left.

TAKEOFF OBSTACLE NOTES:

Rwy 13, vehicles on road and wind cone beginning 2' from DER, 260' right of centerline, up to 53' MSL.
 Vehicles on road 69' from DER, 337' right of centerline, 54' MSL.
Rwy 18, vehicles on road beginning 301' from DER, 103' left of centerline, up to 53' MSL.
Rwy 31, vehicles on road 22' from DER, 65' right of centerline, 58' MSL.
 Poles beginning 765' from DER, 616' right of centerline, up to 36' AGL/75' MSL.
Rwy 36, vehicles on road beginning 261' from DER, 444' right of centerline, up to 52' MSL.
 Vehicles on road 490' from DER, 604' left of centerline, 54' MSL.
 Light poles beginning 1217' from DER, 648' right of centerline, up to 31' AGL/74' MSL.
 Light poles beginning 1241' from DER, 665' left of centerline, up to 31' AGL/74' MSL.
 Light pole 1294' from DER, 799' right of centerline, 31' AGL/75' MSL.
 Light pole 1330' from DER, 850' left of centerline, 32' AGL/75' MSL.
 Refinery 1.9 NM from DER, 180' right of centerline, 318' AGL/344' MSL.
 Tower 2.1 NM from DER, 3773' left of centerline, 401' AGL/423' MSL.

CORPUS CHRISTI NAS (TRUAX FLD) (KNGP)

CORPUS CHRISTI, TX

TAKEOFF MINIMUMS AND (OBSTACLE) DEPARTURE PROCEDURES

AMDT 2 30NOV23 (23334) (USN)

TAKEOFF OBSTACLE NOTES:

Rwy 4, terrain 0' from DER, 500' right of centerline, 35' MSL.
 Antenna 103' from DER, 417' left of centerline, 38' MSL.
 Terrain 304' from DER, 500' left of centerline, 37' MSL.
 Terrain 761' from DER, 704' right of centerline, 33' MSL.
Rwy 13L, terrain 0' from DER, 500' left of centerline, 35' MSL.
 Antenna 57' from DER, 406' right of centerline, 22' AGL/37' MSL.
Rwy 18, terrain 0' from DER, 500' left of centerline, 35' MSL.
 Pylon 4925' from DER, 382' left of centerline, 124' AGL/142' MSL.
Rwy 22, terrain 0' from DER, 500' left of centerline, 33' MSL.
 Antenna 209' from DER, 474' left of centerline, 20' AGL/40' MSL.
Rwy 31R, terrain 0' from DER, 500' right of centerline, 33' MSL.
 Terrain 292' from DER, 500' right of centerline, 33' MSL.
Rwy 36, terrain 0' from DER, 500' left of centerline, 36' MSL.
 Terrain 300' from DER, 580' left of centerline, 36' MSL.
 Antenna 568' from DER, 417' right of centerline, 38' MSL.

22 FEB 2024 to 21 MAR 2024

22 FEB 2024 to 21 MAR 2024

TAKEOFF MINIMUMS, (OBSTACLE) DEPARTURE PROCEDURES, AND DIVERSE VECTOR AREA (RADAR VECTORS)

23334

SC-3

TAKEOFF MINIMUMS, (OBSTACLE) DEPARTURE PROCEDURES, AND DIVERSE VECTOR AREA (RADAR VECTORS)

23334

COTULLA, TX

COTULLA-LA SALLE COUNTY (COT)

TAKEOFF MINIMUMS AND (OBSTACLE) DEPARTURE PROCEDURES

AMDT 1 18SEP14 (14261) (FAA)

TAKEOFF OBSTACLE NOTES:

Rwy 13, trees beginning 4' from DER, left and right of centerline, up to 20' AGL/465' MSL.
Vehicles on unlit roadway, beginning 55' from DER, 507' left of centerline, up to 15' AGL/482' MSL.
Trees beginning 142' from DER, left and right of centerline, up to 20' AGL/482' MSL.
Trees beginning 622' from DER, left and right of centerline, up to 24' AGL/480' MSL.
Pole 1002' from DER, 548' left of centerline, 33' AGL/488' MSL.
Rwy 31, fence .08' from DER, 310' right of centerline, 3' AGL/476' MSL.
Trees beginning 19' from DER, left and right of centerline, up to 13' AGL/485' MSL.
Trees beginning 178' from DER, 311' right of centerline, up to 16' AGL/490' MSL.
Trees beginning 380' from DER, 386' right of centerline, up to 21' AGL/493' MSL.

DEL RIO, TX

DEL RIO INTL (DRT)

TAKEOFF MINIMUMS AND (OBSTACLE) DEPARTURE PROCEDURES

ORIG 09SEP99 (99252) (FAA)

DEPARTURE PROCEDURE:

Rwy 13, climb to 1500 prior to left turn.

DEVINE, TX

DEVINE MUNI (23R)

TAKEOFF MINIMUMS AND (OBSTACLE) DEPARTURE PROCEDURES

AMDT 1 15DEC11 (11349) (FAA)

TAKEOFF MINIMUMS:

Rwy 35, 300-1 or std. w/min. climb of 265' per NM to 900.

TAKEOFF OBSTACLE NOTES:

Rwy 17, trees beginning 281' from DER, 383' left of centerline, up to 50' AGL/759' MSL.
Trees beginning 1145' from DER, 233' left of centerline, up to 50' AGL/779' MSL.
Rwy 35, trees beginning 4761' from DER, 128' right of centerline, up to 50' AGL/839' MSL.

EAGLE PASS, TX

MAVERICK COUNTY MEML INTL (5T9)

TAKEOFF MINIMUMS AND (OBSTACLE) DEPARTURE PROCEDURES

ORIG 25SEP08 (22139) (FAA)

TAKEOFF OBSTACLE NOTES:

Rwy 13, vehicle on road 171' from DER, 393' right of centerline, 15' AGL/894' MSL.

EDINBURG, TX

SOUTH TEXAS INTL AT EDINBURG (EBG)

TAKEOFF MINIMUMS AND (OBSTACLE) DEPARTURE PROCEDURES

ORIG 28SEP06 (06271) (FAA)

TAKEOFF MINIMUMS:

CAUTION: Unmarked balloon and cable to 15000' MSL in R-6317.

Rwy 14, 276/37.9 NM.

Rwy 32, 276/38.5 NM.

TAKEOFF OBSTACLE NOTES:

Rwy 14, tree 1109' from DER, 525' right of centerline, 19' AGL/108' MSL.
Terrain 20' from DER, 312' right of centerline, 0' AGL/74' MSL.
Rwy 32, multiple poles beginning 831' from DER, 53' right of centerline, up to 32' AGL/111' MSL.
Road 640' from DER, 671' right of centerline, 17' AGL/96' MSL.

22 FEB 2024 to 21 MAR 2024

22 FEB 2024 to 21 MAR 2024

TAKEOFF MINIMUMS, (OBSTACLE) DEPARTURE PROCEDURES, AND DIVERSE VECTOR AREA (RADAR VECTORS)

23334

SC-3

TAKEOFF MINIMUMS, (OBSTACLE) DEPARTURE PROCEDURES, AND DIVERSE VECTOR AREA (RADAR VECTORS)

23334

EL PASO, TX

EL PASO INTL (ELP)

TAKEOFF MINIMUMS AND (OBSTACLE) DEPARTURE PROCEDURES

AMDT 8 20AUG15 (15232) (FAA)

TAKEOFF MINIMUMS:

Rwys 8L, 26R, NA-Environmental.

Rwy 26L, std. w/min. climb of 490' per NM to 6300.

DEPARTURE PROCEDURE:

Rwy 4, 8R, climbing right turn heading 120° and ELP R-150 to 9000, then proceed on course.

Rwy 22, 26L, climbing left turn heading 120° and ELP R-150 to 9000, then proceed on course.

TAKEOFF OBSTACLE NOTES:

Rwy 4, light poles beginning 1053' from DER, 746' left of centerline, 39' AGL/3986' MSL.

Rwy 26L, light poles beginning 1248' from DER, 614' left of centerline, up to 60' AGL/3983' MSL.

Windsock 113' from DER, 295' right of centerline, 20' AGL/3943' MSL.

Rwy 22, utility pedestal 30' from DER, 205' right of centerline, 4' AGL/3918' MSL.

FALFURRIAS, TX

BROOKS COUNTY (BKS)

TAKEOFF MINIMUMS AND (OBSTACLE) DEPARTURE PROCEDURES

AMDT 1 07MAY09 (09127) (FAA)

TAKEOFF MINIMUMS:

Rwy 32, 400-2¼ or std. w/ min. climb of 249' per NM to 600.

Rwy 35, std. w/ min. climb of 250' per NM to 800, or 500-3 w/ min. climb of 242' per NM to 800, or 900-2½ for climb in visual conditions.

DEPARTURE PROCEDURE:

Rwy 35, for climb in visual conditions: cross Brooks County Airport at or above 900 MSL before proceeding on course.

TAKEOFF OBSTACLE NOTES:

Rwy 14, vehicle on road, 29' from DER, 499' left of centerline, 15' AGL/129' MSL.

Trees beginning 149' from DER, 523' left of centerline, up to 40' AGL/154' MSL.

Trees beginning at DER, 415' right of centerline, up to 40' AGL/149' MSL.

Rwy 17, vehicle on road, at DER, 364' left of centerline, 15' AGL/119' MSL.

Trees beginning 15' from DER, 331' right of centerline, up to 40' AGL/149' MSL.

Trees beginning 165' from DER, 126' left of centerline, up to 17' AGL/129' MSL.

Rwy 32, road and trees beginning 587' from DER, 35' right of centerline, up to 40' AGL/149' MSL.

Tower 1.9 NM from DER, 987' left of centerline, 298' AGL/418' MSL.

Rwy 35, vehicle on road, at DER, 360' right of centerline, 15' AGL/118' MSL.

Tree 1010' from DER, 278' right of centerline, 29' AGL/138' MSL.

Tower 2.6 NM from DER, 426' right of centerline, 414' AGL/539' MSL.

FORT CAVAZOS (KILLEEN), TX

ROBERT GRAY AAF (GRK)

TAKEOFF MINIMUMS AND (OBSTACLE) DEPARTURE PROCEDURES

AMDT 1A 30NOV23 (23334) (FAA)

TAKEOFF OBSTACLE NOTES:

Rwy 33, pole 974' from DER, 746' left of centerline, 35' AGL/1050' MSL.

Pole 1121' from DER, 746' left of centerline, 33' AGL/1048' MSL.

FORT STOCKTON, TX

FORT STOCKTON-PECOS COUNTY (FST)

TAKEOFF MINIMUMS AND (OBSTACLE) DEPARTURE PROCEDURES

ORIG 27AUG09 (09239) (FAA)

TAKEOFF MINIMUMS:

Rwys 7, 11, 16, 25, 29, 34, NA-Environmental.

Rwy 21, 300-1 or std. w/ min. climb of 280' per NM to 3600.

DEPARTURE PROCEDURE:

Rwy 21, climb heading 208° to 3600 before turning left.

TAKEOFF OBSTACLE NOTES:

Rwy 12, tree 899' from DER, 310' right of centerline, 39' AGL/3049' MSL.

Rwy 21, brush beginning 110' from DER, 222' right of centerline, up to 20' AGL/3159' MSL.

Terrain beginning 124' from DER, 77' right of centerline, up to 3173' MSL.

Terrain beginning 56' from DER, 132' left of centerline, up to 3111' MSL.

Bush 236' from DER, 30' left of centerline, 6' AGL/3013' MSL.

Vehicle on road, 2017' from DER, 973' left of centerline, 17' AGL/3066' MSL.

Rwy 30, trees beginning 64' from DER, 354' left of centerline, up to 6' AGL/2995' MSL.

22 FEB 2024 to 21 MAR 2024

22 FEB 2024 to 21 MAR 2024

TAKEOFF MINIMUMS, (OBSTACLE) DEPARTURE PROCEDURES, AND DIVERSE VECTOR AREA (RADAR VECTORS)

23334

SC-3

TAKEOFF MINIMUMS, (OBSTACLE) DEPARTURE PROCEDURES, AND DIVERSE VECTOR AREA (RADAR VECTORS)

23334

FREDERICKSBURG, TX

GILLESPIE COUNTY (T82)

TAKEOFF MINIMUMS AND (OBSTACLE) DEPARTURE PROCEDURES

AMDT 2 25APR19 (19115) (FAA)

DEPARTURE PROCEDURE:

Rwy 14, climb heading 141° to 2400 before turning right.

Rwy 32, climb heading 321° to 2400 before proceeding on course.

TAKEOFF OBSTACLE NOTES:

Rwy 14, trees beginning 32' from DER, 310' right of centerline, up to 1685' MSL.

Pole 202' from DER, 515' left of centerline, 30' AGL/1708' MSL.

Tree 325' from DER, 298' right of centerline, 1688' MSL.

Trees beginning 336' from DER, 439' left of centerline, up to 1715' MSL.

Trees beginning 437' from DER, 297' left of centerline, up to 1718' MSL.

Trees beginning 517' from DER, 323' left of centerline, up to 1723' MSL.

Tree 531' from DER, 328' right of centerline, 1694' MSL.

Rwy 32, building, trees beginning 9' from DER, 22' right of centerline, up to 31' AGL/1719' MSL.

Trees beginning 84' from DER, 7' left of centerline, up to 1726' MSL.

Tree 943' from DER, 490' right of centerline, 1720' MSL.

Pole 1028' from DER, 713' right of centerline, 45' AGL/1733' MSL.

Trees, poles beginning 1038' from DER, 113' right of centerline, up to 1735' MSL.

Trees beginning 1108' from DER, 117' left of centerline, up to 1731' MSL.

Trees, poles beginning 1201' from DER, 39' right of centerline, up to 1737' MSL.

Tree 1883' from DER, 432' right of centerline, 1742' MSL.

GEORGE WEST, TX

LIVE OAK COUNTY (8T6)

TAKEOFF MINIMUMS AND (OBSTACLE) DEPARTURE PROCEDURES

ORIG-A 23JUN16 (16175) (FAA)

TAKEOFF MINIMUMS:

Rwy 31, 700-3 or std. with a min. climb of 230' per NM to 1000.

DEPARTURE PROCEDURE:

Rwy 13, climb runway heading to 600 before turning right.

TAKEOFF OBSTACLE NOTES:

Rwy 13, Trees and poles beginning 20' from DER, left and right of centerline, up to 37' AGL/157' MSL.

Vehicles on road starting 200' from DER, 431' left of centerline, up to 15' AGL/138' MSL.

Trees 815' from DER, 613' right of centerline, 48' AGL/168' MSL.

Rwy 31, Building, trees and poles beginning 57' from DER, 484' right of centerline, up to 40' AGL/163' MSL.

Vehicles on road starting 85' from DER, left and right of centerline, up to 15' AGL/143' MSL.

Trees and poles beginning 365' from DER, 401' left of centerline, 50' AGL/180' MSL.

GEORGETOWN, TX

GEORGETOWN EXEC (GTU)

TAKEOFF MINIMUMS AND (OBSTACLE) DEPARTURE PROCEDURES

AMDT 1A 17AUG17 (22195) (FAA)

TAKEOFF MINIMUMS:

Rwy 18, 200-1¼ or std. w/min. climb of 250' per NM to 1000.

TAKEOFF OBSTACLE NOTES:

Rwy 11, tree 11' from DER, 401' right of centerline, 786' MSL.

Poles and trees beginning 79' from DER, 136' right of centerline, up to 39' AGL/796' MSL.

Building 183' from DER, 477' left of centerline, 776' MSL.

Poles and buildings beginning 251' from DER, 424' left of centerline, up to 789' MSL.

Trees beginning 489' from DER, 226' left of centerline, up to 791' MSL.

Transmission towers, catenary, and telephone line beginning 2019' from DER, 27' left of centerline, up to 97' AGL/837' MSL.

Transmission tower and telephone line beginning 2271' from DER, 900' right of centerline, up to 826' MSL.

Tower 5361' from DER, 515' right of centerline, 179' AGL/894' MSL.

Rwy 18, REIL, vehicles on road, and tree beginning 30' from DER, 124' left of centerline, up to 784' MSL.

Tree 148' from DER, 465' left of centerline, 33' AGL/787' MSL.

Trees beginning 175' from DER, 444' right of centerline, up to 779' MSL.

Obstruction light on pole, poles, and trees beginning 300' from DER, 38' left of centerline, up to 792' MSL.

Obstruction light on pole, poles, and trees beginning 351' from DER, 19' right of centerline, up to 792' MSL.

Transmission tower 3137' from DER, 1036' left of centerline, 90' AGL/835' MSL.

Antenna on water tower 1 NM from DER, 1158' right of centerline, 163' AGL/932' MSL.

CON'T

22 FEB 2024 to 21 MAR 2024

22 FEB 2024 to 21 MAR 2024

TAKEOFF MINIMUMS, (OBSTACLE) DEPARTURE PROCEDURES, AND DIVERSE VECTOR AREA (RADAR VECTORS)

23334

SC-3

TAKEOFF MINIMUMS, (OBSTACLE) DEPARTURE PROCEDURES, AND DIVERSE VECTOR AREA (RADAR VECTORS)

23334

GEORGETOWN, TX (CON'T)

GEORGETOWN EXEC (GTU) (CON'T)

Rwy 29, bushes beginning 10' from DER, 117' left of centerline, up to 792' MSL.
Terrain 15' from DER, 91' right of centerline, 790' MSL.
Terrain 15' from DER, 191' right of centerline, 792' MSL.
Trees beginning 89' from DER, 345' left of centerline, up to 806' MSL.
Bush and tree beginning 103' from DER, 351' right of centerline, up to 23' AGL/819' MSL.
Tree 205' from DER, 403' left of centerline, 811' MSL.
Tree 260' from DER, 562' right of centerline, 824' MSL.
Trees beginning 296' from DER, 291' left of centerline, up to 819' MSL.
Trees beginning 331' from DER, 162' right of centerline, up to 828' MSL.
Trees beginning 544' from DER, 22' right of centerline, up to 833' MSL.
Trees beginning 549' from DER, 78' left of centerline, up to 821' MSL.
Pole 766' from DER, 524' right of centerline, 837' MSL.
Poles and trees beginning 787' from DER, 48' left of centerline, up to 826' MSL.
Poles and trees beginning 800' from DER, 56' right of centerline, up to 840' MSL.
Tree 1902' from DER, 923' right of centerline, 841' MSL.
Trees beginning 1958' from DER, 563' right of centerline, up to 844' MSL.
Rwy 36, building 70' from DER, 513' right of centerline, 789' MSL.
Antenna 104' from DER, 492' right of centerline, 810' MSL.
Terrain 115' from DER, 345' left of centerline, 789' MSL.
Trees beginning 143' from DER, 378' left of centerline, up to 18' AGL/810' MSL.
Pole 269' from DER, 565' left of centerline, 35' AGL/828' MSL.
Trees beginning 284' from DER, 424' right of centerline, up to 818' MSL.
Tree 322' from DER, 360' left of centerline, 831' MSL.
Pole and trees beginning 392' from DER, 301' left of centerline, up to 837' MSL.
Tower and trees beginning 510' from DER, 429' right of centerline, up to 45' AGL/823' MSL.

HAMILTON, TX

HAMILTON MUNI (MNZ)

TAKEOFF MINIMUMS AND (OBSTACLE) DEPARTURE PROCEDURES

ORIG 17DEC09 (09351) (FAA)

TAKEOFF OBSTACLE NOTES:

Rwy 18, tree 689' from DER, 211' left of centerline, 40' AGL/1346' MSL.
Vehicle on North-South road 849' from DER, on extended centerline, 15' AGL/1321' MSL.
Rwy 36, trees beginning 621' from DER, 186' left of centerline, 40' AGL/1359' MSL.
Trees 879' from DER, 87' right of centerline, 40' AGL/1359' MSL.

HARLINGEN, TX

VALLEY INTL (HRL)

TAKEOFF MINIMUMS AND (OBSTACLE) DEPARTURE PROCEDURES

ORIG-A 15AUG19 (19227) (FAA)

TAKEOFF OBSTACLE NOTES:

Rwy 13, sign 29' from DER, 251' left of centerline, 6' AGL/39' MSL.
Pole 1117' from DER, 550' left of centerline, 34' AGL/67' MSL.
Rwy 17L, NAVAID 9' from DER, on centerline, 3' AGL/37' MSL.
Vehicle on road 410' from DER, 519' left of centerline, 50' MSL.
Vehicle on road 415' from DER, 1' right of centerline, 51' MSL.
Rwy 17R, fence 23' from DER, 498' right of centerline, 9' AGL/41' MSL.
Rwy 31, NAVAID 52' from DER, 199' left of centerline, 4' AGL/37' MSL.
Pole 752' from DER, 540' left of centerline, up to 34' AGL/66' MSL.
Tree 981' from DER, 461' left of centerline, 69' MSL.
Tree 1055' from DER, 517' left of centerline, 72' MSL.
Rwy 35L, sign 23' from DER, 250' left of centerline, 3' AGL/36' MSL.
Rwy 35R, NAVAID 40' from DER, 149' left of centerline, 3' AGL/36' MSL.
NAVAID 40' from DER, 148' right of centerline, 3' AGL/36' MSL.
NAVAID 40' from DER, 202' left of centerline, 4' AGL/37' MSL.

HEBBRONVILLE, TX

JIM HOGG COUNTY (HBV)

TAKEOFF MINIMUMS AND (OBSTACLE) DEPARTURE PROCEDURES

ORIG 29JUL10 (10210) (FAA)

TAKEOFF OBSTACLE NOTES:

Rwy 13, trees beginning 7' from DER, 59' left of centerline, up to 25' AGL/694' MSL.
Rwy 31, trees beginning 112' from DER, 274' right of centerline to 438' left of centerline, up to 12' AGL/681' MSL. Pole 801' from DER, 374' right of centerline, up to 26' AGL/685' MSL.
NDB 275' from DER, 495' left of centerline, up to 33' AGL/692' MSL.
Vehicle on road 399' from DER, left and right of centerline, up to 15' AGL/674' MSL.

TAKEOFF MINIMUMS, (OBSTACLE) DEPARTURE PROCEDURES, AND DIVERSE VECTOR AREA (RADAR VECTORS)

23334

SC-3

TAKEOFF MINIMUMS, (OBSTACLE) DEPARTURE PROCEDURES, AND DIVERSE VECTOR AREA (RADAR VECTORS)

23334

HONDO, TX

SOUTH TEXAS RGNL AT HONDO (HDO)

TAKEOFF MINIMUMS AND (OBSTACLE) DEPARTURE PROCEDURES

ORIG-A 28JUL11 (11209) (FAA)

TAKEOFF MINIMUMS:

Rwys 4, 22, NA-Environmental.

TAKEOFF OBSTACLE NOTES:

Rwy 8, trees 407' from DER, 243' left of centerline, 30' AGL/959' MSL.**Rwy 17L**, vehicles on road 488' from DER, 131' right of centerline, 15' AGL/925' MSL.**Rwy 17R**, sand storage domes beginning 3653' from DER, 838' right of centerline, up to 115' AGL/1023' MSL.**Rwy 35R**, vehicles on road 161' from DER, 172' left of centerline, 15' AGL/943' MSL.

Multiple trees beginning 636' from DER, 354' right of centerline, up to 26' AGL/955' MSL.

Vehicles on road beginning 490' from DER, 122' right of centerline, 15' AGL/943' MSL.

Rwy 26, trees 1022' from DER, 241' right of centerline, 30' AGL/959' MSL.**Rwy 13**, trees 726' from DER, 250' left of centerline, 30' AGL/939' MSL.

JUNCTION, TX

KIMBLE COUNTY (JCT)

TAKEOFF MINIMUMS AND (OBSTACLE) DEPARTURE PROCEDURES

AMDT 2 05MAY11 (11125) (FAA)

TAKEOFF MINIMUMS:

Rwys 8, 26, NA - Environmental.**Rwy17**, std. w/min. climb of 340' per NM to 2300 or 1300-3 for climb in visual conditions.**Rwy 35**, std. w/min. climb of 565' per NM to 2200 or 400-3 with minimum climb of 230' per NM to 2500, or 1300-3 for climb in visual conditions.

DEPARTURE PROCEDURE:

Rwy 17, climb heading 172° to 2800 before proceeding on course, for climb in visual conditions cross Kimble County Airport at or above 2900 before proceeding on course.**Rwy 35**, for climb in visual conditions cross Kimble County Airport at or above 2900 before proceeding on course.

TAKEOFF OBSTACLE NOTES:

Rwy 17, trees beginning abeam DER, 297' right of centerline, up to 50' AGL/1749' MSL.

Power lines beginning 229' from DER, 370' right of centerline, up to 75' AGL/1744' MSL.

Vehicles on road beginning 390' from DER, left and right of centerline, up to 17' AGL/1716' MSL.

Trees beginning 1548' from DER, left and right of centerline, up to 50' AGL/2049' MSL.

Radio towers beginning 4568' from DER, 736' left of centerline, up to 169' AGL/1854' MSL.

Rwy 35, power lines beginning abeam DER, 545' left of centerline, up to 75' AGL/1854' MSL.

Power lines abeam DER, 561' right of centerline, up to 75' AGL/1854' MSL.

Vehicles on road beginning 1121' from DER, left and right of centerline, up to 15' AGL/1794' MSL.

Trees beginning 1254' from DER, left and right of centerline, up to 50' AGL/2129' MSL.

KELLY FLD (KSKF)

SAN ANTONIO, TX

TAKEOFF MINIMUMS AND (OBSTACLE) DEPARTURE PROCEDURES

ORIG 25MAY17 (17145)

TAKEOFF OBSTACLE NOTES:

Rwy 34, trees 50' AGL/743' MSL, 1763' from DER, 919' left of cntrln.

22 FEB 2024 to 21 MAR 2024

22 FEB 2024 to 21 MAR 2024

TAKEOFF MINIMUMS, (OBSTACLE) DEPARTURE PROCEDURES, AND DIVERSE VECTOR AREA (RADAR VECTORS)

23334

SC-3

TAKEOFF MINIMUMS, (OBSTACLE) DEPARTURE PROCEDURES, AND DIVERSE VECTOR AREA (RADAR VECTORS)

23334

KENEDY, TX

KENEDY RGNL (2R9)

TAKEOFF MINIMUMS AND (OBSTACLE) DEPARTURE PROCEDURES
AMDT 2A 15AUG19 (19227) (FAA)

TAKEOFF MINIMUMS:

Rwy 16, 300-1¼ or std. w/min. climb of 310' per NM to 600.

Rwy 34, 400-2¼ or std. w/min. climb of 675' per NM to 600.

DEPARTURE PROCEDURE:

Rwy 34, climb heading 344° to 800 before turning left.

TAKEOFF OBSTACLE NOTES:

Rwy 16, fence at DER, 293' right of centerline, 8' AGL/277' MSL.

Fence at DER, 291' left of centerline, 8' AGL/279' MSL.

Trees beginning 11' from DER, 268' right of centerline, up to 100' AGL/379' MSL.

Poles beginning 965' from DER, 352' left of centerline, up to 80' AGL/364' MSL.

Tree 1771' from DER, 937' right of centerline, 100' AGL/389' MSL.

Tree 2752' from DER, 993' right of centerline, 100' AGL/399' MSL.

Tree 3234' from DER, 1137' left of centerline, 100' AGL/409' MSL.

Tree 3408' from DER, 982' right of centerline, 100' AGL/419' MSL.

Tree 4050' from DER, 808' right of centerline, 100' AGL/429' MSL.

Tree 4523' from DER, 348' right of centerline, 100' AGL/439' MSL.

Tree 4854' from DER, 200' right of centerline, 100' AGL/449' MSL.

Tree 5091' from DER, 147' right of centerline, 100' AGL/459' MSL.

Trees beginning 5351' from DER, 18' right of centerline, up to 100' AGL/469' MSL.

Tree 5684' from DER, 983' right of centerline, 100' AGL/479' MSL.

Tree 1 NM from DER, 1953' right of centerline, 100' AGL/489' MSL.

Tree 1.1 NM from DER, 2105' right of centerline, 100' AGL/499' MSL.

Tree 1.5 NM from DER, 1603' right of centerline, 100' AGL/507' MSL.

Rwy 34, tree 51' from DER, 180' left of centerline, 100' AGL/399' MSL.

Fence 169' from DER, crossing extended runway centerline, 8' AGL/295' MSL.

Tower 1031' from DER, 2808' left of centerline, 238' AGL/678' MSL.

Tree 1457' from DER, 761' left of centerline, 100' AGL/419' MSL.

Tree 1512' from DER, 8' right of centerline, 100' AGL/409' MSL.

Tree 1615' from DER, 859' left of centerline, 100' AGL/429' MSL.

Tree 1779' from DER, 861' left of centerline, 100' AGL/439' MSL.

Tree 1902' from DER, 847' left of centerline, 100' AGL/449' MSL.

Tree 2521' from DER, 950' right of centerline, 100' AGL/429' MSL.

Tree 3594' from DER, 1437' right of centerline, 100' AGL/459' MSL.

Tree 4395' from DER, 107' left of centerline, 100' AGL/469' MSL.

Tree 4834' from DER, 178' left of centerline, 100' AGL/479' MSL.

Tree 5227' from DER, 352' left of centerline, 100' AGL/489' MSL.

Tree 5720' from DER, 153' left of centerline, 100' AGL/499' MSL.

Trees beginning 1 NM from DER, 24' left of centerline, up to 100' AGL/519' MSL.

Trees beginning 1.1 NM from DER, 4' right of centerline, up to 100' AGL/529' MSL.

Tower, trees beginning 1.4 NM from DER, 86' left of centerline, up to 238' AGL/628' MSL.

KERRVILLE, TX

KERRVILLE MUNI/LOUIS SCHREINER FLD (ERV)

TAKEOFF MINIMUMS AND (OBSTACLE) DEPARTURE PROCEDURES
AMDT 2 03JAN19 (22139) (FAA)

TAKEOFF MINIMUMS:

Rwy 3, 500-3 w/min. climb of 390' per NM to 2600, or std. w/min. climb of 455' per NM to 2400 or 1300-3 for VCOA.

Rwy 30, std. w/min. climb of 215' per NM to 2300 or 1300-3 for VCOA.

VCOA:

Rwys 3, 30, obtain ATC approval for VCOA when requesting IFR clearance. Climb in visual conditions to cross Kerrville Muni/Louis Schreiner Fld at or above 2800 before proceeding on course.

TAKEOFF OBSTACLE NOTES:

Rwy 3, tree 23' from DER, 465' left of centerline, 41' AGL/1631' MSL.

Terrain 25' from DER, 401' right of centerline, 1635' MSL.

Terrain 36' from DER, 505' right of centerline, 1647' MSL.

Vehicles on road, terrain beginning 45' from DER, 310' right of centerline, up to 1649' MSL.

Trees beginning 239' from DER, 445' left of centerline, up to 47' AGL/1640' MSL.

Vehicle on road, terrain beginning 296' from DER, 352' right of centerline, up to 1650' MSL.

Trees beginning 436' from DER, 344' left of centerline, up to 66' AGL/1664' MSL.

Vehicles on road, terrain beginning 496' from DER, 311' right of centerline, up to 1652' MSL.

Trees, vehicles on road beginning 853' from DER, 117' right of centerline, up to 38' AGL/1673' MSL.

Trees beginning 895' from DER, 46' right of centerline, up to 31' AGL/1675' MSL.

Trees beginning 985' from DER, 96' right of centerline, up to 26' AGL/1678' MSL.

Trees beginning 1030' from DER, 198' right of centerline, up to 41' AGL/1684' MSL.

Poles, vehicles on road, transmission line, trees beginning 1176' from DER, 11' right of centerline, up to 55' AGL/1715' MSL.

Pole 1434' from DER, 418' left of centerline, 58' AGL/1672' MSL.

Transmission line, pole beginning 1440' from DER, 414' left of centerline, up to 59' AGL/1674' MSL.

Pole 1523' from DER, 772' left of centerline, 63' AGL/1698' MSL.

CON'T

TAKEOFF MINIMUMS, (OBSTACLE) DEPARTURE PROCEDURES, AND DIVERSE VECTOR AREA (RADAR VECTORS)

23334

SC-3

TAKEOFF MINIMUMS, (OBSTACLE) DEPARTURE PROCEDURES, AND DIVERSE VECTOR AREA (RADAR VECTORS)

23334

KERRVILLE, TX (CON'T)

KERRVILLE MUNI/LOUIS SCHREINER FLD (ERV) (CON'T)

Rwy 3 (CON'T), transmission line, trees, windmill, pole, vehicle on road beginning 1525' from DER, 28' left of centerline, up to 64' AGL/1705' MSL.

Trees, vehicles on road, fence beginning 2019' from DER, 37' right of centerline, up to 33' AGL/1742' MSL.

Trees, terrain beginning 2581' from DER, 576' right of centerline, up to 1743' MSL.

Trees beginning 2717' from DER, 540' left of centerline, up to 29' AGL/1708' MSL.

Trees, fence beginning 2978' from DER, 804' left of centerline, up to 37' AGL/1733' MSL.

Trees beginning 3253' from DER, 920' left of centerline, up to 30' AGL/1738' MSL.

Trees, pole beginning 3636' from DER, 1190' left of centerline, up to 33' AGL/1742' MSL.

Tree 3905' from DER, 1490' right of centerline, 30' AGL/1751' MSL.

Trees beginning 4069' from DER, 920' right of centerline, up to 16' AGL/1753' MSL.

Trees beginning 4108' from DER, 1199' right of centerline, up to 27' AGL/1773' MSL.

Tree 4291' from DER, 1344' right of centerline, 23' AGL/1776' MSL.

Trees beginning 4312' from DER, 1120' right of centerline, up to 23' AGL/1796' MSL.

Fence, tree beginning 4440' from DER, 1207' right of centerline, up to 4' AGL/1824' MSL.

Fence, tree beginning 4504' from DER, 1136' right of centerline, up to 6' AGL/1832' MSL.

Terrain, fence, tree beginning 4610' from DER, 1475' right of centerline, up to 1869' MSL.

Trees, fence, terrain beginning 4656' from DER, 347' right of centerline, up to 14' AGL/1879' MSL.

Poles beginning 4892' from DER, 1415' left of centerline, up to 40' AGL/1753' MSL.

Pole, trees beginning 5066' from DER, 1275' left of centerline, up to 39' AGL/1758' MSL.

Pole, tree beginning 5204' from DER, 1373' left of centerline, up to 37' AGL/1760' MSL.

Tree 5259' from DER, 1498' left of centerline, 34' AGL/1764' MSL.

Trees beginning 5329' from DER, 1203' left of centerline, up to 41' AGL/1769' MSL.

Tree 5365' from DER, 1718' left of centerline, 33' AGL/1772' MSL.

Trees, vehicle on road, poles beginning 5366' from DER, 1159' left of centerline, up to 32' AGL/1773' MSL.

Tree 5569' from DER, 1423' left of centerline, 34' AGL/1775' MSL.

Pole 5579' from DER, 1525' left of centerline, 28' AGL/1778' MSL.

Pole beginning 5639' from DER, 1125' left of centerline, up to 27' AGL/1800' MSL.

Pole, terrain, trees beginning 5667' from DER, 1228' left of centerline, up to 36' AGL/1809' MSL.

Tree 5885' from DER, 1970' left of centerline, 28' AGL/1850' MSL.

Trees, terrain beginning 5931' from DER, 1356' left of centerline, up to 26' AGL/1874' MSL.

Tree 6068' from DER, 1968' left of centerline, 21' AGL/1890' MSL.

Trees beginning 1 NM from DER, 1442' left of centerline, up to 21' AGL/1892' MSL.

Tree, vehicle on road, terrain, fence beginning 1 NM from DER, 1349' left of centerline, up to 1924' MSL.

Vehicle on road, tree beginning 1 NM from DER, 914' right of centerline, up to 1902' MSL.

Vehicles on road beginning 1 NM from DER, 1170' right of centerline, up to 1903' MSL.

Trees beginning 1 NM from DER, 991' right of centerline, up to 22' AGL/1921' MSL.

Tree, vehicles on road beginning 1.1 NM from DER, 735' right of centerline, up to 29' AGL/1923' MSL.

Tree, terrain beginning 1.1 NM from DER, 524' right of centerline, up to 1927' MSL.

Trees, vehicles on road, terrain, poles beginning 1.1 NM from DER, 416' right of centerline, up to 36' AGL/1929' MSL.

Building, trees, vehicle on road beginning 1.2 NM from DER, 1213' right of centerline, up to 32' AGL/1931' MSL.

Trees, vehicles on road, poles, building, terrain, tank beginning 1.2 NM from DER, on and right of centerline, up to 35' AGL/1934' MSL.

Fence, tree beginning 1.3 NM from DER, 1576' left of centerline, up to 6' AGL/1925' MSL.

Building 1.3 NM from DER, 2597' left of centerline, 14' AGL/1934' MSL.

Tree 1.3 NM from DER, 2558' left of centerline, 23' AGL/1943' MSL.

Building, trees, poles, vehicles on road beginning 1.3 NM from DER, 1543' left of centerline, up to 41' AGL/1962' MSL.
Buildings, poles, vehicles on road, trees, fence, tank, terrain beginning 1.3 NM from DER, 18' left of centerline, up to 32' AGL/1963' MSL.

Trees, pole, vehicles on road beginning 1.4 NM from DER, 160' right of centerline, up to 31' AGL/1941' MSL.

Trees, vehicles on road, fence beginning 1.4 NM from DER, 233' right of centerline, up to 25' AGL/1947' MSL.

Trees, poles, vehicles on road beginning 1.5 NM from DER, 196' right of centerline, up to 25' AGL/1950' MSL.

Poles, trees, vehicles on road, fence, terrain beginning 1.5 NM from DER, 179' right of centerline, up to 44' AGL/1961' MSL.

Trees, vehicles on road, terrain beginning 1.6 NM from DER, 37' left of centerline, up to 25' AGL/1967' MSL.

Trees, vehicles on road, pole beginning 1.7 NM from DER, 133' right of centerline, up to 28' AGL/1962' MSL.

Vehicle on road, tree beginning 1.7 NM from DER, 1457' right of centerline, up to 1963' MSL.

Trees, vehicles on road beginning 1.7 NM from DER, 1588' left of centerline, up to 18' AGL/1968' MSL.

Trees, fence, vehicles on road beginning 1.7 NM from DER, 15' right of centerline, up to 22' AGL/1978' MSL.

Poles, trees, vehicles on road, terrain, building beginning 1.7 NM from DER, 196' right of centerline, up to 36' AGL/1982' MSL.

Vehicles on road, tree beginning 1.7 NM from DER, 2149' left of centerline, up to 1969' MSL.

Poles, trees, vehicles on road beginning 1.7 NM from DER, 906' left of centerline, up to 39' AGL/1976' MSL.

Pole, trees, vehicles on road beginning 1.7 NM from DER, 76' right of centerline, up to 45' AGL/1994' MSL.

Pole, tree, vehicle on road, terrain beginning 1.7 NM from DER, 17' left of centerline, up to 40' AGL/1986' MSL.

Tree, vehicle on road, tank beginning 1.8 NM from DER, 271' right of centerline, up to 36' AGL/2000' MSL.

Trees beginning 1.8 NM from DER, 88' right of centerline, up to 27' AGL/2010' MSL.

Poles, fence, buildings, trees, vehicles on road, terrain beginning 1.8 NM from DER, on centerline, up to 43' AGL/2022' MSL.

Vehicles on road, trees, pole beginning 1.8 NM from DER, 84' left of centerline, up to 1989' MSL.

Trees, poles, vehicles on road, building, terrain beginning 1.8 NM from DER, 173' left of centerline, up to 44' AGL/2003' MSL.

Tree, terrain, buildings, vehicles on road, pole beginning 1.9 NM from DER, 267' left of centerline, up to 34' AGL/2025' MSL.

Windmill, buildings, trees, terrain, vehicles on road, poles, tank, transmission line beginning 1.9 NM from DER, 34' left of centerline, up to 52' AGL/2044' MSL.

CON'T

22 FEB 2024 to 21 MAR 2024

22 FEB 2024 to 21 MAR 2024

TAKEOFF MINIMUMS, (OBSTACLE) DEPARTURE PROCEDURES, AND DIVERSE VECTOR AREA (RADAR VECTORS)

23334

SC-3

TAKEOFF MINIMUMS, (OBSTACLE) DEPARTURE PROCEDURES, AND DIVERSE VECTOR AREA (RADAR VECTORS)

23334

KERRVILLE, TX (CON'T)

KERRVILLE MUNI/LOUIS SCHREINER FLD (ERV) (CON'T)

Rwy 3 (CON'T), transmission line, tree beginning 2.4 NM from DER, 1351' left of centerline, up to 116' AGL/2077' MSL.
Transmission lines, trees beginning 2.4 NM from DER, 524' left of centerline, up to 108' AGL/2078' MSL.
Transmission lines 2.5 NM from DER, 866' right of centerline, 103' AGL/2042' MSL.

Rwy 12, terrain beginning 76' from DER, 189' left of centerline, up to 1593' MSL.
Tree 289' from DER, 448' right of centerline, 32' AGL/1605' MSL.
Vehicles on road beginning 517' from DER, 617' left of centerline, up to 1608' MSL.
Tree 625' from DER, 442' right of centerline, 33' AGL/1607' MSL.

Rwy 21, fence, terrain beginning 1' from DER, 145' right of centerline, up to 1583' MSL.
Vehicles on road, sign, terrain beginning 13' from DER, 125' left of centerline, up to 1576' MSL.
Pole 838' from DER, 593' right of centerline, 35' AGL/1595' MSL.
Pole, trees beginning 893' from DER, 422' right of centerline, up to 41' AGL/1602' MSL.
Trees beginning 975' from DER, 277' right of centerline, up to 54' AGL/1608' MSL.
Trees beginning 1291' from DER, 284' right of centerline, up to 80' AGL/1610' MSL.
Tree 1439' from DER, 250' right of centerline, 89' AGL/1619' MSL.
Antenna 2904' from DER, 870' right of centerline, 102' AGL/1655' MSL.
Tree 4950' from DER, 1649' right of centerline, 48' AGL/1704' MSL.
Tree, building beginning 4963' from DER, 1520' right of centerline, up to 50' AGL/1710' MSL.

Rwy 30, vehicle on road 1' from DER, 477' left of centerline, 1577' MSL.
Tree 190' from DER, 493' left of centerline, 28' AGL/1584' MSL.
Tree 210' from DER, 514' left of centerline, 41' AGL/1592' MSL.
Pole, tree, building, lighting beginning 244' from DER, 208' left of centerline, up to 33' AGL/1594' MSL.
Fence beginning 324' from DER, 330' right of centerline, up to 11' AGL/1582' MSL.
Vehicles on road, fence beginning 329' from DER, 271' right of centerline, up to 1592' MSL.
Tree 404' from DER, 521' right of centerline, 35' AGL/1610' MSL.
Trees, poles beginning 407' from DER, 412' left of centerline, up to 51' AGL/1598' MSL.
Poles, building, trees beginning 443' from DER, 32' right of centerline, up to 39' AGL/1615' MSL.
Tree 599' from DER, 500' left of centerline, 51' AGL/1605' MSL.
Trees beginning 621' from DER, 19' left of centerline, up to 51' AGL/1606' MSL.
Trees beginning 874' from DER, 104' left of centerline, up to 83' AGL/1614' MSL.
Tree 1748' from DER, 937' left of centerline, 93' AGL/1619' MSL.

KILLEEN, TX

SKYLARK FLD (ILE)

TAKEOFF MINIMUMS AND (OBSTACLE) DEPARTURE PROCEDURES

AMDT 2 15JAN09 (21224) (FAA)

DEPARTURE PROCEDURE:

Rwy 19, climb heading 190° to 1900 before turning east.

TAKEOFF OBSTACLE NOTES:

Rwy 1, multiple poles beginning 317' from DER, 384' left of centerline, up to 27' AGL/868' MSL.
Tree, 973' from DER, 100' left of centerline, 28' AGL/876' MSL.
Building, 486' from DER, 9' right of centerline, 13' AGL/854' MSL.
Antenna, 351' from DER, 277' right of centerline, 11' AGL/852' MSL.

Rwy 19, pole, 288' from DER, 588' right of centerline, 32' AGL/880' MSL.
Building, 102' from DER, 411' right of centerline, 8' AGL/856' MSL.
Vehicle on road, 232' from DER, 499' right of centerline, 15' AGL/867' MSL.
Pole, 256' from DER, 497' left of centerline, 32' AGL/873' MSL.
Building, 276' from DER, 342' left of centerline, 11' AGL/859' MSL.
Building, 298' from DER, 83' left of centerline, 9' AGL/857' MSL.

KINGSVILLE NAS (KNQI)

KINGSVILLE, TX

TAKEOFF MINIMUMS AND (OBSTACLE) DEPARTURE PROCEDURES

ORIG 16JUL20 (20198)

TAKEOFF OBSTACLE NOTES:

Rwy 13R, terrain 0' from DER, 500' right of cntrln, 0' AGL/45' MSL.
Rwy 17L, terrain 0' from DER, 500' left of cntrln, 0' AGL/56' MSL.
Terrain 328' from DER, 500' left of cntrln, 0' AGL/59' MSL.

Rwy 17R, tower 559' from DER, 1' left of cntrln, 5' AGL/56' MSL.
Terrain 0' from DER, 500' right of cntrln, 0' AGL/60' MSL.
Terrain 281' from DER, 500' right of cntrln, 0' AGL/60' MSL.

Rwy 31L, terrain 0' from DER, 500' left of cntrln, 0' AGL/52' MSL.

KINGSVILLE, TX

KLEBERG COUNTY (IKG)

TAKEOFF MINIMUMS AND (OBSTACLE) DEPARTURE PROCEDURES

ORIG 29JUL10 (10210) (FAA)

TAKEOFF OBSTACLE NOTES:

Rwy 13, trees beginning 528' from DER, 515' right of centerline, up to 35' AGL/154' MSL.
Trees beginning 775' from DER, 554' left of centerline, up to 35' AGL/159' MSL.

Rwy 31, trees beginning 184' from DER, 358' right of centerline, up to 28' AGL/153' MSL.

TAKEOFF MINIMUMS, (OBSTACLE) DEPARTURE PROCEDURES, AND DIVERSE VECTOR AREA (RADAR VECTORS)

23334

SC-3

TAKEOFF MINIMUMS, (OBSTACLE) DEPARTURE PROCEDURES, AND DIVERSE VECTOR AREA (RADAR VECTORS)

23334

LAGO VISTA, TX

LAGO VISTA TX/RUSTY ALLEN (RYW)

TAKEOFF MINIMUMS AND (OBSTACLE) DEPARTURE PROCEDURES
AMDT 1A 17AUG17 (22027) (FAA)

TAKEOFF OBSTACLE NOTES:

- Rwy 15**, building 4' from DER, 157' right of centerline, 25' AGL/1225' MSL.
Building and trees beginning 18' from DER, 248' left of centerline, up to 1232' MSL.
- Rwy 33**, trees beginning 14' from DER, 158' right of centerline, up to 1258' MSL.
Trees beginning 44' from DER, 144' left of centerline, up to 1257' MSL.
Trees beginning 173' from DER, 315' left of centerline, up to 1262' MSL.
Trees beginning 173' from DER, 235' right of centerline, up to 1259' MSL.
Trees beginning 494' from DER, 224' right of centerline, up to 1269' MSL.
Trees beginning 624' from DER, 274' left of centerline, up to 1270' MSL.
Trees beginning 743' from DER, 159' left of centerline, up to 1273' MSL.
Tree 1430' from DER, 122' right of centerline, 1270' MSL.
Tree 1612' from DER, 132' left of centerline, 1274' MSL.

LAKEWAY, TX

LAKEWAY AIRPARK (3R9)

TAKEOFF MINIMUMS AND (OBSTACLE) DEPARTURE PROCEDURES
AMDT 3 05MAR15 (15064) (FAA)

TAKEOFF MINIMUMS:

Rwy 16, 500-2¾ or std. w/min. climb of 265' per NM to 1500.

DEPARTURE PROCEDURE:

Rwy 16, climb heading 165° to 1700 before proceeding on course.

TAKEOFF OBSTACLE NOTES:

- Rwy 16**, trees on rising terrain beginning 26' from DER, 161' right of centerline, up to 50' AGL/975' MSL.
Building 38' from DER, 229' right of centerline, 50' AGL/989' MSL.
Tree 194' from DER, 221' left of centerline, 50' AGL/943' MSL.
Building and trees beginning 534' from DER, 165' left of centerline, 40' AGL/941' MSL.
Power lines with catenary markers beginning 776' from DER, crossing centerline, up to 80' AGL/999' MSL.
Tower 2.1 NM from DER, 1314' right of centerline, 195' AGL/1326' MSL.
- Rwy 34**, trees beginning abeam DER, right of centerline, up to 50' AGL/931' MSL.
Trees and buildings beginning abeam DER, 161' left of centerline, up to 50' AGL/965' MSL.
Trees and buildings on rising terrain beginning 3405' from DER, crossing centerline, up to 50' AGL/1009' MSL.

LAMPASAS, TX

LAMPASAS (LZZ)

TAKEOFF MINIMUMS AND (OBSTACLE) DEPARTURE PROCEDURES
ORIG 17DEC09 (09351) (FAA)

TAKEOFF OBSTACLE NOTES:

- Rwy 16**, building 39' from DER, 374' left of centerline, 20' AGL/1189' MSL.
Trees beginning 795' from DER, 217' right of centerline, up to 30' AGL/1189' MSL.
- Rwy 34**, trees beginning 657' from DER, 147' left of centerline, up to 30' AGL/1249' MSL.

LAREDO, TX

LAREDO INTL (LRD)

TAKEOFF MINIMUMS AND (OBSTACLE) DEPARTURE PROCEDURES
AMDT 4B 08NOV18 (18312) (FAA)

DEPARTURE PROCEDURE:

- Rwy 14**, climb heading 142° to 1000 before turning right.
- Rwy 18L**, climb heading 163° to 1200 before turning right.
- Rwy 18R**, climb heading 163° to 1300 before turning right.
- Rwy 32**, climb heading 322° to 1200 before turning left.
- Rwys 36L, 36R**, climb heading 358° to 1000 before turning left.

TAKEOFF OBSTACLE NOTES:

- Rwy 14**, trees beginning 135' from DER, 298' left of centerline, up to 59' AGL/519' MSL.
Sign 226' from DER, 244' left of centerline, 14' AGL/474' MSL.
- Rwy 18L**, terrain beginning 48' from DER, 333' right of centerline, up to 478' MSL.
- Rwy 18R**, terrain beginning 4' from DER, 219' right of centerline, up to 489' MSL.
Light poles beginning 894' from DER, 344' right of centerline, up to 41' AGL/511' MSL.
- Rwy 32**, aircraft on taxiway beginning 50' from DER, 367' left of centerline, up to 75' AGL/584' MSL.
Trees beginning 768' from DER, 584' left of centerline, up to 59' AGL/559' MSL.
Trees beginning 88' from DER, 275' right of centerline, up to 59' AGL/559' MSL.
- Rwy 36L, 36R**, MALSR 5' from DER, on centerline, 5' AGL/505' MSL.
NAVAID 10' from DER, on centerline, 5' AGL/505' MSL.
Antenna on building 81' from DER, 404' left of centerline, 30' AGL/520' MSL.
- Rwy 36R**, terrain beginning 19' from DER, 191' left of centerline, up to 500' MSL.
Terrain beginning 176' from DER, 489' right of centerline, up to 512' MSL.

TAKEOFF MINIMUMS, (OBSTACLE) DEPARTURE PROCEDURES, AND DIVERSE VECTOR AREA (RADAR VECTORS)

23334

SC-3

TAKEOFF MINIMUMS, (OBSTACLE) DEPARTURE PROCEDURES, AND DIVERSE VECTOR AREA (RADAR VECTORS)

23334

LAUGHLIN AFB (KDLF)

DEL RIO, TX

TAKEOFF MINIMUMS AND (OBSTACLE) DEPARTURE PROCEDURES
AMDT 1 20APR23 (23110) (USAF)

TAKEOFF OBSTACLE NOTES:

Rwy 13C, taxiing aircraft 196' from DER, 220' right of centerline, 14' AGL/1079' MSL.

Rwy 13L, taxiing aircraft 9' from DER, 204' right of centerline, 14' AGL/1076' MSL.

Rwy 13R, taxiing aircraft 1159' from DER, 175' left of centerline, 38' AGL/1108' MSL.

Taxiing aircraft 36' from DER, 181' left of centerline, 14' AGL/1090' MSL.

Taxiing aircraft 65' from DER, 301' left of centerline, 14' AGL/1090' MSL.

Taxiing aircraft 524' from DER, 605' right of centerline, 14' AGL/1093' MSL.

Rwy 31C, vehicular traffic 16' from DER, 466' right of centerline, 10' AGL/1092' MSL.

Rwy 31L, terrain 187' from DER, 550' right of centerline, 1082' MSL.

Taxiing aircraft 101' from DER, 196' right of centerline, 14' AGL/1091' MSL.

Taxiing aircraft 248' from DER, 329' right of centerline, 14' AGL/1094' MSL.

Rwy 31R, taxiing aircraft 5' from DER, 174' left of centerline, 14' AGL/1090' MSL.

Terrain 114' from DER, 522' right of centerline, 1085' MSL.

Terrain 118' from DER, 427' right of centerline, 1082' MSL.

Terrain 149' from DER, 535' right of centerline, 1085' MSL.

Terrain 170' from DER, 537' right of centerline, 1085' MSL.

Terrain 171' from DER, 515' right of centerline, 1083' MSL.

Terrain 172' from DER, 492' right of centerline, 1082' MSL.

Terrain 189' from DER, 544' right of centerline, 1085' MSL.

Terrain 228' from DER, 544' right of centerline, 1085' MSL.

Terrain 267' from DER, 532' right of centerline, 1085' MSL.

Terrain 72' from DER, 450' right of centerline, 1085' MSL.

Terrain 84' from DER, 491' right of centerline, 1085' MSL.

Terrain 96' from DER, 438' right of centerline, 1083' MSL.

Wind sock 18' from DER, 495' left of centerline, 26' AGL/1101' MSL.

LLANO, TX

LLANO MUNI (AQO)

TAKEOFF MINIMUMS AND (OBSTACLE) DEPARTURE PROCEDURES
ORIG 17DEC09 (09351) (FAA)

TAKEOFF MINIMUMS:

Rwys 13, 31, NA-Environmental.

DEPARTURE PROCEDURE:

Rwy 35, climb heading 354° to 1900 before proceeding on course.

TAKEOFF OBSTACLE NOTES:

Rwy 17, tree 11' from DER, 364' left of centerline, 25' AGL/1144' MSL.

Trees 811' from DER, 242' left of centerline, 25' AGL/1124' MSL.

Rwy 35, hangar 209' from DER, 497' right of centerline, 30' AGL/1149' MSL.

Tree 485' from DER, 265' right of centerline, 25' AGL/1144' MSL.

Vehicles on North-South road, 270' left of centerline, 15' AGL/1114' MSL.

Vehicles on road 390' from DER, crosses centerline East-West, 15' AGL/1134' MSL.

LOCKHART, TX

LOCKHART MUNI (50R)

TAKEOFF MINIMUMS AND (OBSTACLE) DEPARTURE PROCEDURES
ORIG 25AUG11 (11237) (FAA)

TAKEOFF MINIMUMS:

Rwy 36, 400-3 or std. w/min. climb of 275' per NM to 1200.

DEPARTURE PROCEDURE:

Rwy 36, climb heading 355° to 1200 before turning.

TAKEOFF OBSTACLE NOTES:

Rwy 18, trees beginning 47' from DER, 267' left of centerline, up to 65' AGL/555' MSL.

Trees beginning 245' from DER, 13' right of centerline, up to 42' AGL/541' MSL.

Rwy 36, bush 51' from DER, 305' right of centerline, 8' AGL/568' MSL.

Pole 1298' from DER, 561' right of centerline, 38' AGL/568' MSL.

Tower 2.2 NM from DER, 2536' right of centerline, 378' AGL/918' MSL.

22 FEB 2024 to 21 MAR 2024

22 FEB 2024 to 21 MAR 2024

TAKEOFF MINIMUMS, (OBSTACLE) DEPARTURE PROCEDURES, AND DIVERSE VECTOR AREA (RADAR VECTORS)

23334

SC-3

TAKEOFF MINIMUMS, (OBSTACLE) DEPARTURE PROCEDURES, AND DIVERSE VECTOR AREA (RADAR VECTORS)

23334

MARFA, TX

MARFA MUNI (MRF)

TAKEOFF MINIMUMS AND (OBSTACLE) DEPARTURE PROCEDURES

AMDT 1A 25FEB21 (21056) (FAA)

TAKEOFF MINIMUMS:

Rwys 9, 27, NA - Environmental.

CAUTION: Unmarked balloon and cable to 14000' MSL in R-6318.

DEPARTURE PROCEDURE:

Rwy 4, climbing right turn direct MRF VOR/DME thence...

Rwy 13, climb direct MRF VOR/DME thence...

Rwys 22, 31, climbing left turn direct MRF VOR/DME thence...

...all aircraft climb in MRF holding pattern (southeast, left turn, 313° inbound) to cross MRF VOR/DME at or above MEA for direction of flight.

TAKEOFF OBSTACLE NOTES:

Rwy 4, vehicle on road, tree beginning 18' from DER, 319' left of centerline, up to 15' AGL/4863' MSL.

Tree 76' from DER, 504' right of centerline, 4852' MSL.

Vehicle on road, tree beginning 121' from DER, 48' left of centerline, up to 15' AGL/4864' MSL.

Vehicle on road 462' from DER, 270' left of centerline, 4866' MSL.

Vehicle on road 469' from DER, 613' right of centerline, 4863' MSL.

Vehicle on road beginning 558' from DER, 197' left of centerline, up to 4869' MSL.

Vehicle on road 709' from DER, 417' left of centerline, 4870' MSL.

Vehicle on road 744' from DER, 583' right of centerline, 4868' MSL.

Rwy 13, vehicle on road 29' from DER, 413' right of centerline, 4846' MSL.

Vehicle on road 175' from DER, 429' right of centerline, 15' AGL/4848' MSL.

Vehicle on road 513' from DER, 564' left of centerline, 4846' MSL.

Pole 1041' from DER, 572' right of centerline, 4858' MSL.

Rwy 22, vehicle on road beginning 5' from DER, 281' left of centerline, up to 15' AGL/4840' MSL.

Tree 152' from DER, 419' right of centerline, 4833' MSL.

Tank, vehicle on road beginning 340' from DER, 272' left of centerline, up to 4846' MSL.

Rwy 31, building 31' from DER, 249' right of centerline, 5' AGL/4843' MSL.

MASON, TX

MASON COUNTY (T92)

TAKEOFF MINIMUMS AND (OBSTACLE) DEPARTURE PROCEDURES

AMDT 2 17AUG17 (17229) (FAA)

TAKEOFF MINIMUMS:

Rwy 36, 300-1 or std. w/ min. climb of 440' per NM to 1800.

DEPARTURE PROCEDURE:

Rwy 18, climb heading 176° to 2100' before turning right.

TAKEOFF OBSTACLE NOTES:

Rwy 18, trees beginning 469' from DER, 87' left of centerline, up to 35' AGL/1555' MSL.

Rwy 36, trees beginning 379' from DER, left and right of centerline, up to 35' AGL/1538' MSL.

T-L tower 3061' from DER, 1185' left of centerline, 95' AGL/1628' MSL.

T-L towers beginning 3625' from DER, 193' left of centerline, up to 85' AGL/1641' MSL.

T-L towers beginning 4435' from DER, 303' right of centerline, up to 90' AGL/1667' MSL.

MC ALLEN, TX

MC ALLEN INTL (MFE)

TAKEOFF MINIMUMS AND (OBSTACLE) DEPARTURE PROCEDURES

AMDT 2 10DEC15 (23054) (FAA)

TAKEOFF MINIMUMS:

Rwy 36, 300-1½, or std. w/min. climb of 296' per NM to 500'.

TAKEOFF OBSTACLE NOTES:

Rwy 14, trees beginning 792' from DER, 593' left of centerline, up to 44' AGL/139' MSL.

Rwy 32, trees and poles beginning 709' from DER, 362' left of centerline, up to 52' AGL/157' MSL.

Tree 1019' from DER, 627' right of centerline, 42' AGL/142' MSL.

Rwy 36, pole 581' from DER, on centerline, 19' AGL/122' MSL.

Tower 198' from DER, 335' left of centerline, 38' AGL/140' MSL.

Buildings and trees beginning 652' from DER, 36' left of centerline, up to 50' AGL/155' MSL.

Towers, poles and buildings beginning 635' from DER, 25' right of centerline, up to 62' AGL/166' MSL.

Buildings 2016' from DER, 860' right of centerline, 89' AGL/197' MSL.

Buildings 1.29 NM from DER, 243' right of centerline, 263' AGL/394' MSL.

22 FEB 2024 to 21 MAR 2024

22 FEB 2024 to 21 MAR 2024

TAKEOFF MINIMUMS, (OBSTACLE) DEPARTURE PROCEDURES, AND DIVERSE VECTOR AREA (RADAR VECTORS)

23334

SC-3

TAKEOFF MINIMUMS, (OBSTACLE) DEPARTURE PROCEDURES, AND DIVERSE VECTOR AREA (RADAR VECTORS)

23334

MIDLAND, TX

MIDLAND AIRPARK (MDD)

TAKEOFF MINIMUMS AND (OBSTACLE) DEPARTURE PROCEDURES

AMDT 4 16AUG18 (18228) (FAA)

TAKEOFF MINIMUMS:

Rwy 16, 400-2½' or std. w/min. climb of 220' per NM to 3300.

Rwy 25, 300-1½' or std. w/min. climb of 230' per NM to 3100, or alternatively, with std. takeoff minimums and a normal 200' per NM climb gradient, takeoff must occur no later than 1700' prior to DER.

TAKEOFF OBSTACLE NOTES:

Rwy 7, vehicles on road and tree beginning 87' from DER, 360' left of centerline, up to 2803' MSL.

Vegetation 218' from DER, 441' right of centerline, 2797' MSL.

Poles beginning 316' from DER, 443' left of centerline, up to 50' AGL/2840' MSL.

Poles beginning 1601' from DER, 252' left of centerline, up to 52' AGL/2843' MSL.

Pole 1868' from DER, 377' left of centerline, 52' AGL/2849' MSL.

Pole 2136' from DER, 343' left of centerline, 52' AGL/2855' MSL.

Pole 2403' from DER, 309' left of centerline, 52' AGL/2859' MSL.

Poles beginning 2888' from DER, 256' left of centerline, up to 52' AGL/2861' MSL.

Rwy 16, vegetation 37' from DER, 490' right of centerline, 2803' MSL.

Pole 196' from DER, 498' right of centerline, 33' AGL/2827' MSL.

Pole 318' from DER, 449' right of centerline, 34' AGL/2828' MSL.

Poles and trees beginning 613' from DER, 296' right of centerline, up to 42' AGL/2834' MSL.

Pole 826' from DER, 454' left of centerline, 32' AGL/2822' MSL.

Tree 856' from DER, 227' left of centerline, 2829' MSL.

Trees beginning 1098' from DER, 291' right of centerline, up to 2842' MSL.

Poles beginning 1269' from DER, 664' left of centerline, up to 51' AGL/2839' MSL.

Tower 2 NM from DER, 3181' left of centerline, 354' AGL/3136' MSL.

Building 2 NM from DER, 3680' left of centerline, 354' AGL/3135' MSL.

Rwy 25, pole 104' from DER, 519' right of centerline, 67' AGL/2870' MSL.

Poles beginning 373' from DER, 316' right of centerline, up to 69' AGL/2873' MSL.

Tree and sign beginning 642' from DER, 205' left of centerline, up to 2840' MSL.

Poles, lighting, and tree beginning 644' from DER, 12' right of centerline, up to 71' AGL/2876' MSL.

Tree, pole, and lighting beginning 681' from DER, 76' left of centerline, up to 2842' MSL.

Building and trees beginning 866' from DER, 38' left of centerline, up to 40' AGL/2851' MSL.

Tower 5309' from DER, 1326' right of centerline, 137' AGL/2956' MSL.

Rwy 34, vehicles on road 572' from DER, 423' left of centerline, 2816' MSL.

Pole and trees beginning 635' from DER, 329' right of centerline, up to 51' AGL/2843' MSL.

Tree 838' from DER, 484' left of centerline, 2825' MSL.

Trees beginning 1216' from DER, 328' right of centerline, up to 2850' MSL.

MIDLAND INTL AIR AND SPACE PORT (MAF)

TAKEOFF MINIMUMS AND (OBSTACLE) DEPARTURE PROCEDURES

AMDT 1A 22JUN17 (17173) (FAA)

TAKEOFF MINIMUMS:

Rwy 34L, 300-1½' or std. w/min. climb of 400' per NM to 3200.

Rwy 34R, 300-1¼' or std. w/min. climb of 320' per NM to 3200.

TAKEOFF OBSTACLE NOTES:

Rwy 4, trees beginning 24' from DER, 34' right of centerline, up to 40' AGL/2903' MSL.

Rods, towers and domes beginning 1231' from DER, 442' left of centerline, up to 108' AGL/2963' MSL.

Rwy 10, rods, antennas, and lights beginning 72' from DER, 40' right of centerline, up to 20' AGL/2874' MSL.

Trees, poles, and signs beginning 1296' from DER, 457' left of centerline, up to 40' AGL/2913' MSL.

Rwy 16L, signs and poles beginning 94' from DER, 20' left of centerline, up to 30' AGL/2877' MSL.

Railroad beginning 530' from DER, 17' left of centerline, 23' AGL/2869' MSL.

Vehicles on road beginning 301' from DER, 268' left of centerline, 17' AGL/2862' MSL.

Rwy 16R, pole 1794' from DER, 975' right of centerline, 55' AGL/2906' MSL.

Rwy 22, tower, poles, lights, and antenna beginning 111' from DER, 66' right of centerline, up to 102' AGL/2986' MSL.

Hangars 1112' from DER, 600' right of centerline, 55' AGL/2906' MSL.

Tower, poles, and sign beginning 83' from DER, 62' left of centerline, up to 120' AGL/2971' MSL.

Rwy 34L, drilling rigs beginning 201' from DER, 178' right of centerline, up to 165' AGL/3037' MSL.

Drilling rigs beginning 3228' from DER, 769' left of centerline, 165' AGL/3056' MSL.

Rwy 34R, vehicles on road beginning 256' from DER, 10' right of centerline, up to 17' AGL/2881' MSL.

Trees and bushes beginning 171' from DER, 80' right of centerline, up to 40' AGL/2878' MSL.

Poles and fence beginning 28' from DER, 109' right of centerline, up to 38' AGL/2903' MSL.

Fence beginning 83' from DER, 271' left of centerline, 8' AGL/2872' MSL.

Windmill, poles and trees beginning 1239' from DER, 116' left of centerline, up to 66' AGL/2913' MSL.

Drilling rig 5540' from DER, 267' left of centerline, 165' AGL/3025' MSL.

22 FEB 2024 to 21 MAR 2024

22 FEB 2024 to 21 MAR 2024

TAKEOFF MINIMUMS, (OBSTACLE) DEPARTURE PROCEDURES, AND DIVERSE VECTOR AREA (RADAR VECTORS)

23334

SC-3

TAKEOFF MINIMUMS, (OBSTACLE) DEPARTURE PROCEDURES, AND DIVERSE VECTOR AREA (RADAR VECTORS)

23334

MONAHANS, TX

ROY HURD MEML (E01)

TAKEOFF MINIMUMS AND (OBSTACLE) DEPARTURE PROCEDURES

AMDT 1 31MAY12 (21224) (FAA)

TAKEOFF MINIMUMS:

Rwy 1, 400-1½ or std. w/min. climb of 434' per NM to 3100.

Rwy 12, 300-1 or std. w/min. climb of 552' per NM to 2900.

TAKEOFF OBSTACLE NOTES:

Rwy 1, vehicles on road, trees, and power line and poles beginning 185' from DER, left and right of centerline, up to 40' AGL/2649' MSL.

Tower 1.2 NM from DER, 211' right of centerline, 303' AGL/2928' MSL.

Rwy 12, bush 75' from DER, 479' left of centerline, 12' AGL/2617' MSL.

Trees and a pole beginning 778' from DER, 23' right of centerline, up to 31' AGL/2641' MSL.

Trees beginning 1041' from DER, 29' left of centerline, up to 42' AGL/2652' MSL.

Tower 2283' from DER, 909' left of centerline, 130' AGL/2744' MSL.

Rwy 19, vehicle on road 215' from DER, 457' right of centerline, 15' AGL/2624' MSL.

Rwy 30, fence, railroad, poles, and trees beginning 56' from DER, 106' right of centerline, up to 44' AGL/2649' MSL.

Vehicle on road, light pole, building, and poles beginning 294' from DER, 41' left of centerline, up to 50' AGL/2655' MSL.

NEW BRAUNFELS, TX

NEW BRAUNFELS NTL (BAZ)

TAKEOFF MINIMUMS AND (OBSTACLE) DEPARTURE PROCEDURES

AMDT 1 25JUN15 (21336) (FAA)

TAKEOFF OBSTACLE NOTES:

Rwy 13, poles beginning 1236' from DER, 277' right of centerline, up to 40' AGL/678' MSL.

Poles beginning 1238' from DER, 557' left of centerline, up to 41' AGL/677' MSL.

Trees beginning 1339' from DER, 211' right of centerline, up to 55' AGL/690' MSL.

Rwy 35, airport visual aid 56' from DER, 25' right of centerline, 3' AGL/649' MSL.

ODESSA, TX

ODESSA-SCHLEMEYER FLD (ODO)

TAKEOFF MINIMUMS AND (OBSTACLE) DEPARTURE PROCEDURES

AMDT 3A 13SEP18 (21308) (FAA)

TAKEOFF MINIMUMS:

Rwy 16, 300-2 or std. w/min. climb of 255' per NM to 3400, or alternatively, with std. takeoff minimums and a normal 200' per NM climb gradient. Takeoff must occur no later than 1300 feet prior to DER.

Rwy 20, 300-2½ or std. w/min. climb of 225' per NM to 3400, or alternatively, with std. takeoff minimums and a normal 200' per NM climb gradient. Takeoff must occur no later than 2100' prior to DER.

TAKEOFF OBSTACLE NOTES:

Rwy 2, vehicles on roadway 184' from DER, left and right of centerline, up to 13' AGL/3013' MSL.

Rwy 16, tower 1.5 NM from DER, 2759' right of centerline, 145' AGL/3205' MSL.

Rwy 20, tower 2.0 NM from DER, 1311' left of centerline, 340' AGL/3287' MSL.

Rwy 29, rising terrain, trees and poles beginning 8' from DER, 495' right of centerline, up 3012' MSL.

Rwy 34, vehicles on roadway beginning 48' from DER, left and right of centerline, up to 16' AGL/3001' MSL.

Hangars 739' from DER, 628' left of centerline, 25' AGL/3012' MSL.
Antenna 1104' from DER, 185' right of centerline, 45' AGL/3032' MSL.

ORANGE GROVE NALF (KNOG)

ORANGE GROVE, TX

TAKEOFF MINIMUMS AND (OBSTACLE) DEPARTURE PROCEDURES

ORIG 09SEP21 (21252) (USN)

TAKEOFF OBSTACLE NOTES:

Rwy 31, terrain 0' from DER, 500' right of cntrln, 259' MSL.

OZONA, TX

OZONA MUNI (OZA)

TAKEOFF MINIMUMS AND (OBSTACLE) DEPARTURE PROCEDURES

AMDT 1 10JUL03 (03191) (FAA)

TAKEOFF MINIMUMS:

Rwy 16, 300-1 or std. with a min. climb of 445' per NM to 2700.

Rwy 34, 200-1½ or std. with a min. climb of 380' per NM to 2600.

TAKEOFF OBSTACLE NOTES:

Rwy 16, trees 3686' from DER, 354' left of centerline, 100' AGL/2560' MSL.

Trees 4436' from DER, 355' left of centerline, 100' AGL/2574' MSL.

Rwy 34, trees 1363' from DER, 638' left of centerline, 100' AGL/2529' MSL.

Trees 3479' from DER, 791' left of centerline, 100' AGL/2535' MSL.

Trees 7679' from DER, 932' left of centerline, 100' AGL/2593' MSL.

TAKEOFF MINIMUMS, (OBSTACLE) DEPARTURE PROCEDURES, AND DIVERSE VECTOR AREA (RADAR VECTORS)

23334

SC-3

TAKEOFF MINIMUMS, (OBSTACLE) DEPARTURE PROCEDURES, AND DIVERSE VECTOR AREA (RADAR VECTORS)

23334

PEARSALL, TX

MC KINLEY FLD (T30)

TAKEOFF MINIMUMS AND (OBSTACLE) DEPARTURE PROCEDURES

ORIG 17NOV11 (22111) (FAA)

TAKEOFF OBSTACLE NOTES:

Rwy 13, trees beginning abeam DER, 300' left of centerline, up to 40' AGL/605' MSL.

Transmission lines beginning 1777' from DER, across centerline, up to 80' AGL/642' MSL.

Rwy 31, train on track 496' from DER, across centerline, 23' AGL/610' MSL.

Vehicle on road 291' from DER, across centerline, 15' AGL/602' MSL.

PECOS, TX

PECOS MUNI (PEQ)

TAKEOFF MINIMUMS AND (OBSTACLE) DEPARTURE PROCEDURES

ORIG 20SEP12 (12264) (FAA)

TAKEOFF OBSTACLE NOTES:

Rwy 14, bush 170' from DER, 252' right of centerline, up to 7' AGL/2607' MSL.**Rwy 32**, bush 129' from DER, 348' left of centerline, up to 9' AGL/2614' MSL.

PLEASANTON, TX

PLEASANTON MUNI (PEZ)

TAKEOFF MINIMUMS AND (OBSTACLE) DEPARTURE PROCEDURES

AMDT 1 20NOV08 (08325) (FAA)

TAKEOFF OBSTACLE NOTES:

Rwy 16, vehicle on road 108' from DER, 285' left of centerline, 15' AGL/424' MSL.

Fence 135' from DER, 194' left of centerline, 3' AGL/412' MSL.

Fence 235' from DER, 38' right of centerline, 3' AGL/412' MSL.

Trees beginning 246' from DER, 56' left of centerline, up to 100' AGL/529' MSL.

Trees beginning 173' from DER, 154' right of centerline, up to 100' AGL/529' MSL.

Rwy 34, vehicle on road 136' from DER, left to right of centerline, up to 15' AGL/444' MSL.

Fence 191' from DER, 251' left of centerline, 3' AGL/442' MSL.

Trees beginning 210' from DER, 51' left of centerline, up to 100' AGL/539' MSL.

Tree 172' from DER, 74' right of centerline, 100' AGL/529' MSL.

PORT ARANSAS, TX

MUSTANG BEACH (RAS)

TAKEOFF MINIMUMS AND (OBSTACLE) DEPARTURE PROCEDURES

AMDT 1 15JAN09 (09015) (FAA)

TAKEOFF OBSTACLE NOTES:

Rwy 12, transmission towers and poles beginning 43' from DER, 28' right of centerline, up to 81' AGL/86' MSL. Building

2435' from DER, 967' right of centerline, 130' AGL/135' MSL.

Transmission towers and poles beginning 1141' from DER, 13' left of centerline, up to 83' AGL/88' MSL.

Rwy 30, boat 1657' from DER, 915' left of centerline, 50' AGL/50' MSL.

PORT ISABEL, TX

PORT ISABEL-CAMERON COUNTY (PIL)

TAKEOFF MINIMUMS AND (OBSTACLE) DEPARTURE PROCEDURES

AMDT 2B 19JUL18 (18200) (FAA)

TAKEOFF MINIMUMS:

Rwy 17, std. w/min. climb of 243' per NM to 700 or 900-3 for VCOA.**Rwy 21**, 600-3 w/min. climb of 231' per NM to 700 or std. w/min. climb of 312' per NM to 700 or 900-3 for VCOA.

DEPARTURE PROCEDURE:

Rwy 13, climb on heading 130° to 500 before turning right.**Rwy 17**, climb on heading 175° to 600 before turning right.

VCOA:

Rwy 17, obtain ATC approval for VCOA when requesting IFR clearance: climb in visual conditions to cross Port Isabel-Cameron County airport at or above 800 before proceeding on course.**Rwy 21**, obtain ATC approval for VCOA when requesting IFR clearance: climb in visual conditions to cross Port Isabel-Cameron County airport at or above 800 before proceeding on course.

TAKEOFF OBSTACLE NOTES:

Rwy 3, trees beginning 15' from DER, 5' right of centerline, up to 100' AGL/117' MSL.

Trees beginning 200' from DER, 25' left of centerline, up to 100' AGL/117' MSL.

Rwy 8, trees beginning 141' from DER, 109' right of centerline, up to 100' AGL/117' MSL.

Trees beginning 142' from DER, 183' left of centerline, up to 100' AGL/117' MSL.

Rwy 13, trees beginning 6' from DER, 6' left of centerline, up to 100' AGL/117' MSL.

Trees beginning 26' from DER, 15' right of centerline, up to 100' AGL/117' MSL.

Rwy 17, trees beginning 183' from DER, 84' right of centerline, up to 100' AGL/117' MSL.

Trees beginning 185' from DER, 178' left of centerline, up to 100' AGL/117' MSL.

CONT

22 FEB 2024 to 21 MAR 2024

22 FEB 2024 to 21 MAR 2024

TAKEOFF MINIMUMS, (OBSTACLE) DEPARTURE PROCEDURES, AND DIVERSE VECTOR AREA (RADAR VECTORS)

23334

SC-3

TAKEOFF MINIMUMS, (OBSTACLE) DEPARTURE PROCEDURES, AND DIVERSE VECTOR AREA (RADAR VECTORS)

23334

PORT ISABEL, TX (CON'T)

PORT ISABEL-CAMERON COUNTY (PIL) (CON'T)

Rwy 21, trees beginning 90' from DER, 19' left of centerline, up to 100' AGL/117' MSL.

Trees beginning 246' from DER, 0' of centerline, up to 100' AGL/117' MSL.

Windmill 2.1 NM from DER, 2541' left of centerline, 492' AGL/512' MSL.

Windmill 2.2 NM from DER, 1999' left of centerline, 492' AGL/514' MSL.

Windmill 2.4 NM from DER, 1377' left of centerline, 499' AGL/522' MSL.

Rwy 26, trees beginning 6' from DER, 208' right of centerline, up to 100' AGL/117' MSL.

Trees beginning 7' from DER, 83' left of centerline, up to 100' AGL/117' MSL.

Rwy 35, trees beginning 158' from DER, 202' right of centerline, up to 100' AGL/114' MSL.

Trees beginning 765' from DER, 63' left of centerline, up to 100' AGL/114' MSL.

Trees beginning 3191' from DER, 61' left of centerline, up to 100' AGL/117' MSL.

PRESIDIO, TX

PRESIDIO LELY INTL (PRS)

TAKEOFF MINIMUMS AND (OBSTACLE) DEPARTURE PROCEDURES

ORIG 03APR14 (14093) (FAA)

TAKEOFF MINIMUMS:

Rwy 17, std. w/min. climb of 230' per NM to 5600, or 1900-3 for climb in visual conditions.

Rwy 35, std. w/min. climb of 280' per NM to 5700, or 1900-3 for climb in visual conditions.

DEPARTURE PROCEDURE:

Rwy 17, climbing left turn to 9000 on heading 045° and MRF VOR/DME R-185 to MRF VOR/DME, or for climb in visual conditions, cross Presidio Lely Intl airport at or above 4700, then climb to 9000 on heading 021° and MRF VOR/DME R-197 to MRF VOR/DME. When executing VCOA, notify ATC prior to departure.

Rwy 35, climbing right turn to 9000 on heading 065° and MRF VOR/DME R-190 to MRF VOR/DME, or for climb in visual conditions, cross Presidio Lely Intl airport at or above 4700, then climb to 9000 on heading 021° and MRF VOR/DME R-197 to MRF VOR/DME. When executing VCOA, notify ATC prior to departure.

TAKEOFF OBSTACLE NOTES:

Rwy 17, brush abeam DER, left and right of centerline, up to 10' AGL/2929' MSL.

Power line 990' from DER, 762' left of centerline, 86' AGL/3005' MSL.

Vehicles on road, 990' from DER, 762' left of centerline, 17' AGL/2936' MSL.

Rwy 35, brush abeam DER, left and right of centerline, up to 10' AGL/3089' MSL.

Powerlines beginning 2978' from DER, 749' right of centerline, up to 86' AGL/3205' MSL.

Vehicles on road, 2978' from DER, 1291' right of centerline, up to 17' AGL/3016' MSL.

ROBSTOWN, TX

NUECES COUNTY (RBO)

TAKEOFF MINIMUMS AND (OBSTACLE) DEPARTURE PROCEDURES

AMDT 1A 30JAN20 (20030) (FAA)

TAKEOFF MINIMUMS:

Rwy 13, std. w/min. climb of 267' per NM to 1400 or 1400-2½ for climb in visual conditions.

DEPARTURE PROCEDURE:

Rwy 13, climb heading 129° to 1400 before turning eastbound or northbound. For climb in visual conditions, cross Nueces County airport at or above 1300' MSL before proceeding on course. When executing VCOA, notify ATC prior to departure.

Rwy 31, climb heading 309° to 700 before turning southeast bound.

TAKEOFF OBSTACLE NOTES:

Rwy 13, tower 4.8 NM from DER, 5070' right of centerline, 989' AGL/1049' MSL.

Poles beginning 1005' from DER, 347' right of centerline, up to 42' AGL/116' MSL.

Poles, vehicles on road, post, transmission tower and grain bin/silo beginning at DER, 69' left of centerline, up to 62' AGL/136' MSL.

Rwy 31, vehicles on road and pole beginning 2' from DER, 250' right of centerline, 15' AGL/93' MSL.

ROCKPORT, TX

ARANSAS COUNTY (RKP)

TAKEOFF MINIMUMS AND (OBSTACLE) DEPARTURE PROCEDURES

ORIG 15MAR07 (07074) (FAA)

TAKEOFF OBSTACLE NOTES:

Rwy 14, road plus vehicle 500' from DER, 593' left of centerline, 17' AGL/40' MSL.

Rwy 18, antenna 5599' from DER, 602' left of centerline, 160' AGL/171' MSL.

Rwy 32, road plus vehicle 291' from DER, 533' left of centerline, 17' AGL/40' MSL.

Rwy 36, road plus vehicle 576' from DER, 597' left of centerline, 17' AGL/40' MSL.

ROCKSPRINGS, TX

EDWARDS COUNTY (ECU)

TAKEOFF MINIMUMS AND (OBSTACLE) DEPARTURE PROCEDURES

ORIG 28SEP06 (06271) (FAA)

TAKEOFF OBSTACLE NOTES:

Rwy 14, multiple trees beginning 1076' from DER, 22' right of centerline, up to 100' AGL/2459' MSL.

Rwy 32, fence 101' from DER, 35' left of centerline, 5' AGL/2374' MSL.

Multiple trees beginning 318' from DER, 71' left of centerline, up to 100' AGL/2479' MSL.

Multiple trees beginning 992' from DER, 532' right of centerline, up to 100' AGL/2479' MSL.

TAKEOFF MINIMUMS, (OBSTACLE) DEPARTURE PROCEDURES, AND DIVERSE VECTOR AREA (RADAR VECTORS)

23334

SC-3

TAKEOFF MINIMUMS, (OBSTACLE) DEPARTURE PROCEDURES, AND DIVERSE VECTOR AREA (RADAR VECTORS)

23334

SAN ANGELO, TX

SAN ANGELO RGNL/MATHIS FLD (SJT)

TAKEOFF MINIMUMS AND (OBSTACLE) DEPARTURE PROCEDURES

AMDT 1 26AUG10 (21112) (FAA)

DEPARTURE PROCEDURE:

Rwy 27, climb to 2500 before turning right.

Rwy 36, climb to 2600 before turning left.

TAKEOFF OBSTACLE NOTES:

Rwy 3, fence 8' from DER, 490' right of centerline, 3' AGL/1896' MSL.

Rwy 18, multiple trees and poles beginning 112' from DER, 183' left of centerline, up to 43' AGL/1962' MSL.

Multiple trees and poles beginning 1076' from DER, 114' right of centerline, up to 47' AGL/1966' MSL.

Catenary 1779' from DER, 457' right of centerline, 45' AGL/1964' MSL.

Rwy 27, multiple trees beginning 482' from DER, 74' left of centerline, up to 24' AGL/1933' MSL.

Light pole 1040' from DER, 252' left of centerline, 22' AGL/1931' MSL.

Tree 538' from DER, 226' right of centerline, 21' AGL/1930' MSL.

SAN ANTONIO, TX

BOERNE STAGE AIRFIELD (5C1)

TAKEOFF MINIMUMS AND (OBSTACLE) DEPARTURE PROCEDURES

ORIG-A 18JAN07 (23166) (FAA)

DEPARTURE PROCEDURE:

Rwy 17, climb heading 169° to 2000 before turning westbound.

Rwy 35, climb heading 349° to 2800 before turning westbound.

TAKEOFF OBSTACLE NOTES:

Rwy 17, tree, pole beginning 20' from DER, 34' left of centerline, up to 1446' MSL.

Tree, pole beginning 47' from DER, 12' right of centerline, up to 1410' MSL.

Pole, tree beginning 788' from DER, 526' left of centerline, up to 1448' MSL.

Trees beginning 1005' from DER, 566' left of centerline, up to 1451' MSL.

Tree 2244' from DER, 986' right of centerline, 1450' MSL.

Tree 2327' from DER, 1069' right of centerline, 1455' MSL.

Tree 2464' from DER, 1005' left of centerline, 1452' MSL.

Tree 2465' from DER, 1093' right of centerline, 1457' MSL.

Tree 2531' from DER, 1082' left of centerline, 1454' MSL.

Trees beginning 2569' from DER, 980' right of centerline, up to 1471' MSL.

Trees beginning 2659' from DER, 1037' right of centerline, up to 1476' MSL.

Rwy 35, building beginning 3' from DER, 221' right of centerline, up to 1400' MSL.

Trees beginning 79' from DER, 175' right of centerline, up to 1412' MSL.

Tree, pole beginning 103' from DER, 8' left of centerline, up to 1416' MSL.

Trees beginning 163' from DER, 23' right of centerline, up to 1431' MSL.

Pole, tree beginning 207' from DER, 37' left of centerline, up to 1418' MSL.

Pole, tree beginning 246' from DER, 103' left of centerline, up to 1422' MSL.

Trees beginning 437' from DER, 573' left of centerline, up to 1426' MSL.

Trees beginning 584' from DER, 78' left of centerline, up to 1428' MSL.

Trees beginning 778' from DER, 371' left of centerline, up to 1430' MSL.

SAN ANTONIO INTL (SAT)

TAKEOFF MINIMUMS AND (OBSTACLE) DEPARTURE PROCEDURES

AMDT 1A 02MAR17 (17061) (FAA)

TAKEOFF OBSTACLE NOTES:

Rwy 13R, antenna on rtr tower, 1034' from DER, 723' right of centerline, 42' AGL/820' MSL.

Building 3801' from DER, 1488' right of centerline, 117' AGL/881' MSL.

Rwy 22, antenna on hangar and flagpole 1198' from DER, 700' right of centerline, 39' AGL/825' MSL.

Poles beginning 2209' from DER, 1041' right of centerline, up to 23' AGL/869' MSL.

Sign 2713' from DER, 1034' right of centerline, 71' AGL/857' MSL.

Rwy 31L, pole 1931' from DER, 911' left of centerline, 42' AGL/867' MSL.

Poles beginning 2356' from DER, 913' left of centerline, up to 42' AGL/892' MSL.

Sign 2435' from DER, 1032' right of centerline, 42' AGL/873' MSL.

Tower 2766' from DER, 834' left of centerline, 54' AGL/891' MSL.

Rwy 31R, rod on ol gs 1261' from DER, 591' left of centerline, 57' AGL/854' MSL.

22 FEB 2024 to 21 MAR 2024

22 FEB 2024 to 21 MAR 2024

TAKEOFF MINIMUMS, (OBSTACLE) DEPARTURE PROCEDURES, AND DIVERSE VECTOR AREA (RADAR VECTORS)

23334

SC-3

TAKEOFF MINIMUMS, (OBSTACLE) DEPARTURE PROCEDURES, AND DIVERSE VECTOR AREA (RADAR VECTORS)

23334

SAN ANTONIO, TX (CON'T)

STINSON MUNI (SSF)

TAKEOFF MINIMUMS AND (OBSTACLE) DEPARTURE PROCEDURES

AMD T 14FEB08 (08045) (FAA)

TAKEOFF MINIMUMS:

Rwy 9, std. w/min. climb of 225' per NM to 1900 or 1000-2½ for climb in visual conditions.

Rwy 27, 300-1¼ or std. w/min. climb of 221' per NM to 900, or alternatively, with std. takeoff minimums and normal 200' per NM climb gradient, takeoff must occur no later than 1700' prior to DER.

DEPARTURE PROCEDURE:

Rwy 9, for climb in visual conditions, cross Stinson Muni airport at or above 1400 MSL before proceeding on course.

Rwy 14, climb heading 137° to 1200 before turning left.

Rwy 32, climb heading 317° to 1500 before turning right.

TAKEOFF OBSTACLE NOTES:

Rwy 9, vehicle on road 285' from DER, 380' left of centerline, 15' AGL/584' MSL.

Trees beginning 1653' from DER, 435' right of centerline, up to 70' AGL/629' MSL.

Rwy 14, vehicle on road 114' from DER, on centerline extending 373' left of centerline, up to 15' AGL/564' MSL.

Trees beginning 72' from DER, 79' right of centerline, up to 70' AGL/607' MSL.

Trees beginning 232' from DER, 54' left of centerline, up to 70' AGL/618' MSL.

Transmission line tower 4205' from DER, 133' right of centerline, 119' AGL/663' MSL.

Rwy 27, fence 41' from DER, 30' right of centerline, 8' AGL/584' MSL.

Vehicle on road 108' from DER, 202' right of centerline, 15' AGL/584' MSL.

Vehicle on road 123' from DER, 113' right of centerline, 15' AGL/596' MSL.

Trees and poles beginning 229' from DER, 117' right of centerline, up to 70' AGL/645' MSL.

Trees and poles beginning 599' from DER, 6' left of centerline, up to 70' AGL/634' MSL.

Tank beginning 1.32 NM from DER, 1338' right of centerline, 179' AGL/799' MSL.

Building 1422' from DER, 432' right of centerline, 40' AGL/627' MSL.

Building 2133' from DER, 36' left of centerline, 55' AGL/635' MSL.

Rwy 32, fence 17' from DER, 80' left of centerline, 8' AGL/578' MSL.

Vehicle on road 54' from DER, 199' left of centerline, 15' AGL/586' MSL.

Trees beginning 164' from DER, 125' right of centerline, up to 70' AGL/639' MSL.

Trees and poles beginning 43' from DER, 41' left of centerline, up to 75' AGL/668' MSL.

SAN SABA, TX

SAN SABA COUNTY MUNI (81R)

TAKEOFF MINIMUMS AND (OBSTACLE) DEPARTURE PROCEDURES

ORIG 30NOV23 (23334) (FAA)

TAKEOFF OBSTACLE NOTES:

Rwy 13, vegetation beginning 14' from DER, 182' left of centerline, up to 1244' MSL.

Vehicle on road, fences beginning 17' from DER, 271' right of centerline, up to 1256' MSL.

Vegetation beginning 103' from DER, 203' left of centerline, up to 4' AGL/1246' MSL.

Poles, vehicle on road, tree beginning 215' from DER, 268' right of centerline, up to 29' AGL/1268' MSL.

Vehicle on road beginning 462' from DER, 65' left of centerline, up to 1257' MSL.

Tree 522' from DER, 382' left of centerline, 1265' MSL.

Rwy 31, vegetation 5' from DER, 196' left of centerline, 3' AGL/1259' MSL.

Vegetation beginning 6' from DER, 172' right of centerline, up to 1262' MSL.

Trees, vegetation, terrain, fence beginning 7' from DER, 129' left of centerline, up to 26' AGL/1286' MSL.

Vegetation beginning 54' from DER, 152' right of centerline, up to 4' AGL/1264' MSL.

Vegetation beginning 95' from DER, 159' right of centerline, up to 1267' MSL.

Vehicle on road 365' from DER, 586' right of centerline, 1276' MSL.

Tree 464' from DER, 455' right of centerline, 1285' MSL.

Trees, vehicle on road beginning 574' from DER, 121' right of centerline, up to 1290' MSL.

SINTON, TX

ALFRED C. BUBBA THOMAS (T69)

TAKEOFF MINIMUMS AND (OBSTACLE) DEPARTURE PROCEDURES

ORIG-A 13NOV14 (14317) (FAA)

TAKEOFF MINIMUMS:

Rwys 3, 21, NA-Environmental.

DEPARTURE PROCEDURE:

Rwy 14, climb runway heading to 800 prior to turning east.

TAKEOFF OBSTACLE NOTES:

Rwy 32, vehicle on road 29' from DER, 308' right of centerline, 15' AGL/64' MSL.

22 FEB 2024 to 21 MAR 2024

22 FEB 2024 to 21 MAR 2024

TAKEOFF MINIMUMS, (OBSTACLE) DEPARTURE PROCEDURES, AND DIVERSE VECTOR AREA (RADAR VECTORS)

23334

SC-3

TAKEOFF MINIMUMS, (OBSTACLE) DEPARTURE PROCEDURES, AND DIVERSE VECTOR AREA (RADAR VECTORS)

23334

SMITHVILLE, TX

SMITHVILLE CRAWFORD MUNI (84R)

TAKEOFF MINIMUMS AND (OBSTACLE) DEPARTURE PROCEDURES

ORIG 15JUN23 (23166) (FAA)

TAKEOFF MINIMUMS:

Rwy 17, 300-1¼ or std. w/min. climb of 300' per NM to 600, or 1000-3 for VCOA.

Rwy 35, 300-1¼ or std. w/min. climb of 330' per NM to 600.

DEPARTURE PROCEDURE:

Rwy 17, climb on heading 169° to 800 before turning right.

VCOA:

Rwy 17, obtain ATC approval for VCOA when requesting IFR clearance. Climb in visual conditions to cross Smithville Crawford Muni airport at or above 1200 before proceeding on course.

TAKEOFF OBSTACLE NOTES:

Rwy 17, tree 108' from DER, 293' right of centerline, 340' MSL.

Tree 113' from DER, 297' left of centerline, 340' MSL.

Trees beginning 197' from DER, 296' right of centerline, up to 31' AGL/342' MSL.

Trees beginning 302' from DER, 294' left of centerline, up to 341' MSL.

Tree 334' from DER, 297' right of centerline, 344' MSL.

Tree 648' from DER, 160' left of centerline, 343' MSL.

Trees beginning 682' from DER, 7' left of centerline, up to 28' AGL/346' MSL.

Tree 778' from DER, 131' left of centerline, 30' AGL/348' MSL.

Tree 836' from DER, 128' left of centerline, 32' AGL/349' MSL.

Tree 858' from DER, 119' left of centerline, 34' AGL/351' MSL.

Tree 866' from DER, 106' right of centerline, 31' AGL/348' MSL.

Tree 910' from DER, 120' left of centerline, 38' AGL/355' MSL.

Tree 1040' from DER, 490' right of centerline, 366' MSL.

Tree 1136' from DER, 251' left of centerline, 40' AGL/358' MSL.

Tree, poles beginning 1172' from DER, 583' left of centerline, up to 363' MSL.

Poles, catenary wires beginning 1357' from DER, 10' left of centerline, up to 388' MSL.

Catenary wires 1390' from DER, 84' right of centerline, 50' AGL/367' MSL.

Tower, catenary wires beginning 1393' from DER, 35' right of centerline, up to 52' AGL/369' MSL.

Catenary wires 1396' from DER, 466' right of centerline, 374' MSL.

Transmission line 1396' from DER, 185' right of centerline, 65' AGL/383' MSL.

Tower, pole, catenary wires, electrical system, trees beginning 1406' from DER, 323' right of centerline, up to 384' MSL.

Tank 4154' from DER, 773' left of centerline, 152' AGL/474' MSL.

Water tower 4157' from DER, 771' left of centerline, 156' AGL/477' MSL.

Tank 5314' from DER, 76' left of centerline, 165' AGL/488' MSL.

Water tower 5322' from DER, 72' left of centerline, 166' AGL/489' MSL.

Rwy 35, fence 104' from DER, 294' left of centerline, 6' AGL/327' MSL.

Sign, trees, vehicle on road beginning 297' from DER, 357' right of centerline, up to 34' AGL/360' MSL.

Tree 311' from DER, 472' left of centerline, 332' MSL.

Trees beginning 522' from DER, 53' left of centerline, up to 340' MSL.

Trees, pole beginning 903' from DER, 65' left of centerline, up to 362' MSL.

Trees, poles, building beginning 1075' from DER, 322' right of centerline, up to 384' MSL.

Trees beginning 1270' from DER, 14' left of centerline, up to 40' AGL/366' MSL.

Trees, building, pole beginning 1296' from DER, 16' right of centerline, up to 408' MSL.

Trees, sign, pole beginning 1319' from DER, 6' left of centerline, up to 52' AGL/379' MSL.

Trees, pole beginning 1409' from DER, 168' right of centerline, up to 412' MSL.

Trees, terrain, poles beginning 1489' from DER, 124' right of centerline, up to 420' MSL.

Trees, fence, terrain, building beginning 1560' from DER, 2' right of centerline, up to 426' MSL.

Trees beginning 1666' from DER, 4' left of centerline, up to 52' AGL/385' MSL.

Trees, terrain, fence beginning 1828' from DER, 1' right of centerline, up to 434' MSL.

Trees beginning 1884' from DER, 71' left of centerline, up to 387' MSL.

Trees beginning 1910' from DER, 8' left of centerline, up to 56' AGL/392' MSL.

Tree 2113' from DER, 7' left of centerline, 34' AGL/395' MSL.

Trees, building, terrain, fence beginning 2151' from DER, 23' right of centerline, up to 56' AGL/449' MSL.

Trees, pole beginning 2161' from DER, 47' left of centerline, up to 34' AGL/401' MSL.

Trees, terrain, building beginning 2249' from DER, 16' left of centerline, up to 29' AGL/413' MSL.

Trees beginning 2350' from DER, 27' left of centerline, up to 29' AGL/416' MSL.

Trees, building beginning 2360' from DER, 64' left of centerline, up to 29' AGL/417' MSL.

Poles, trees, terrain beginning 2439' from DER, 9' right of centerline, up to 44' AGL/455' MSL.

Pole, tree beginning 2452' from DER, 31' left of centerline, up to 32' AGL/423' MSL.

Trees, buildings, electrical systems, terrain, poles, fences beginning 2535' from DER, 3' left of centerline, up to 33' AGL/434' MSL.

Trees, terrain, poles, fences, electrical system, vehicle on road beginning 2550' from DER, 7' right of centerline, up to 54' AGL/465' MSL.

Trees, terrain, building, pole beginning 2944' from DER, 9' left of centerline, up to 33' AGL/438' MSL.

Trees, fences beginning 2990' from DER, 84' left of centerline, up to 439' MSL.

Tree 3039' from DER, 57' left of centerline, 35' AGL/456' MSL.

Trees, terrain, building, poles, fence, vehicle on road, electrical system beginning 3051' from DER, 3' left of centerline, up to 467' MSL.

Tree, vehicle on road beginning 3097' from DER, 54' right of centerline, up to 50' AGL/466' MSL.

Trees, vehicle on road, pole, electrical systems beginning 3113' from DER, 1' right of centerline, up to 53' AGL/468' MSL.

Trees, building, poles beginning 3462' from DER, 3' left of centerline, up to 47' AGL/468' MSL.

Trees, vehicle on road, poles beginning 3601' from DER, 66' right of centerline, up to 47' AGL/469' MSL.

CON'T

TAKEOFF MINIMUMS, (OBSTACLE) DEPARTURE PROCEDURES, AND DIVERSE VECTOR AREA (RADAR VECTORS)

23334

SC-3

TAKEOFF MINIMUMS, (OBSTACLE) DEPARTURE PROCEDURES, AND DIVERSE VECTOR AREA (RADAR VECTORS)

23334

SMITHVILLE, TX (CON'T)

SMITHVILLE CRAWFORD MUNI (84R) (CON'T)

Rwy 35 (CON'T), trees beginning 3668' from DER, 110' left of centerline, up to 38' AGL/469' MSL.

Trees, vehicle on road, electrical systems, terrain, pole beginning 3712' from DER, 24' right of centerline, up to 45' AGL/472' MSL.

Trees beginning 3723' from DER, 155' left of centerline, up to 36' AGL/470' MSL.

Trees, terrain beginning 3736' from DER, 24' left of centerline, up to 42' AGL/476' MSL.

Trees, buildings, vehicle on road, fences, pole, terrain, electrical system beginning 3838' from DER, 3' right of centerline, up to 39' AGL/473' MSL.

Trees beginning 3924' from DER, 107' left of centerline, up to 56' AGL/477' MSL.

Trees beginning 3945' from DER, 3' left of centerline, up to 64' AGL/482' MSL.

Trees beginning 4053' from DER, 23' right of centerline, up to 38' AGL/480' MSL.

Trees, electrical system beginning 4094' from DER, 6' right of centerline, up to 36' AGL/483' MSL.

Trees, terrain, pole beginning 4167' from DER, on centerline, up to 49' AGL/484' MSL.

Trees beginning 4320' from DER, 5' right of centerline, up to 49' AGL/488' MSL.

Trees, vehicle on road, pole beginning 4365' from DER, 3' right of centerline, up to 56' AGL/492' MSL.

Trees beginning 4431' from DER, 2' left of centerline, up to 492' MSL.

Trees, vehicle on road beginning 4781' from DER, 22' right of centerline, up to 494' MSL.

Trees beginning 4827' from DER, 2' left of centerline, up to 55' AGL/495' MSL.

Trees beginning 4844' from DER, 54' right of centerline, up to 36' AGL/495' MSL.

Trees, vehicle on road beginning 4858' from DER, 306' right of centerline, up to 42' AGL/498' MSL.

Trees, pole beginning 4861' from DER, 29' right of centerline, up to 37' AGL/506' MSL.

Trees, vehicle on road, electrical system beginning 4889' from DER, on centerline, up to 49' AGL/517' MSL.

Trees, poles, buildings beginning 4922' from DER, 2' left of centerline, up to 52' AGL/499' MSL.

Trees, vehicle on road, building, terrain, pole beginning 4965' from DER, on centerline, up to 51' AGL/521' MSL.

Trees beginning 5373' from DER, 6' left of centerline, up to 506' MSL.

Trees beginning 5583' from DER, 245' left of centerline, up to 508' MSL.

Trees, building beginning 5598' from DER, 1' left of centerline, up to 510' MSL.

Trees beginning 5655' from DER, 30' left of centerline, up to 517' MSL.

Trees beginning 5747' from DER, 478' left of centerline, up to 522' MSL.

Trees, poles, vehicle on road, electrical systems, building beginning 5751' from DER, 12' left of centerline, up to 523' MSL.

Trees beginning 1.3 NM from DER, 425' right of centerline, up to 545' MSL.

Tree 1.4 NM from DER, 368' right of centerline, 551' MSL.

SONORA, TX

SONORA MUNI (SOA)

TAKEOFF MINIMUMS AND (OBSTACLE) DEPARTURE PROCEDURES

AMDT 2 20AUG15 (15232) (FAA)

TAKEOFF MINIMUMS:

Rwy 18, 300-1 or std. w/min. climb gradient of 553' per NM to 2400.

DEPARTURE PROCEDURE:

Rwy 18, climb heading 182° to 2900 before turning left.

TAKEOFF OBSTACLE NOTES:

Rwy 18, buildings beginning 683' from DER, left and right of centerline, up to 27' AGL/2163' MSL.

Trees and terrain beginning 2233' from DER, 686' right of centerline, up to 50' AGL/2309' MSL.

Tower 4860' from DER, 1458' right of centerline, 75' AGL/2287' MSL.

Rwy 36, fence beginning 2' from DER, left and right of centerline, up to 5' AGL/2144' MSL.

Vehicles on road beginning 8' from DER, left and right of centerline, up to 10' AGL/2149' MSL.

Tree 65' from DER, 462' right of centerline, 48' AGL/2178' MSL.

Tree 247' from DER, 337' left of centerline, 47' AGL/2187' MSL.

Trees beginning 278' from DER, 439' right of centerline, up to 27' AGL/2157' MSL.

Tree 759' from DER, 508' left of centerline, 15' AGL/2195' MSL.

Trees and terrain beginning 981' from DER, 258' left of centerline, up to 39' AGL/2269' MSL.

TAYLOR, TX

TAYLOR MUNI (T74)

TAKEOFF MINIMUMS AND (OBSTACLE) DEPARTURE PROCEDURES

AMDT 1A 17AUG17 (17229) (FAA)

TAKEOFF OBSTACLE NOTES:

Rwy 17, transmission line towers beginning 2212' from DER, 17' left of centerline, up to 50' AGL/656' MSL.

Transmission line towers beginning 2298' from DER, 463' right of centerline, up to 85' AGL/649' MSL.

Transmission line tower 2365' from DER, 1041' right of centerline, 110' AGL/661' MSL.

Rwy 35, vehicles on road 773' from DER, 544' left of centerline, 630' MSL.

Pole and tree beginning 829' from DER, 442' left of centerline, up to 28' AGL/642' MSL.

Vehicles on road 1105' from DER, 427' right of centerline, 635' MSL.

Tree 1129' from DER, 415' right of centerline, 639' MSL.

Poles beginning 1150' from DER, 474' right of centerline, up to 30' AGL/644' MSL.

TAKEOFF MINIMUMS, (OBSTACLE) DEPARTURE PROCEDURES, AND DIVERSE VECTOR AREA (RADAR VECTORS)

23334

SC-3

TAKEOFF MINIMUMS, (OBSTACLE) DEPARTURE PROCEDURES, AND DIVERSE VECTOR AREA (RADAR VECTORS)

23334

TEMPLE, TX

DRAUGHON-MILLER CENTRAL TEXAS RGNL (TPL)

TAKEOFF MINIMUMS AND (OBSTACLE) DEPARTURE PROCEDURES

AMDT 4A 08SEP22 (22251) (FAA)

DEPARTURE PROCEDURE:

Rwy 3, climb on heading between 085° CW to 200° from DER or climb on heading between 200° CW to 345° from DER to 3600 before proceeding on course or minimum climb of 250' per NM to 3200 for all other courses.

Rwy 34, climb on heading between 070° CW to 155° from DER or climb on heading between 155° CW to 330° from DER to 3600 before proceeding on course or min. climb of 240' per NM to 3200 for all other courses.

TAKEOFF OBSTACLE NOTES:

Rwy 3, vegetation beginning 176' from DER, 416' left of centerline, up to 680' MSL.

Tree 279' from DER, 362' right of centerline, 680' MSL.

Tree 1267' from DER, 750' left of centerline, 699' MSL.

Rwy 16, vegetation 60' from DER, 209' left of centerline, 680' MSL.

Rwy 21, hangars beginning 548' from DER, 571' right of centerline, up to 18' AGL/697' MSL.

Rwy 34, tree 306' from DER, 473' right of centerline, 695' MSL.

Tree 479' from DER, 545' right of centerline, 701' MSL.

UVALDE, TX

GARNER FLD (UVA)

TAKEOFF MINIMUMS AND (OBSTACLE) DEPARTURE PROCEDURES

ORIG 05MAY11 (22139) (FAA)

TAKEOFF OBSTACLE NOTES:

Rwy 15, trees and poles beginning 70' from DER, 374' left of centerline, up to 100' AGL/1039' MSL.

Trees and poles beginning 208' from DER, 359' right of centerline, up to 100' AGL/1059' MSL.

Rwy 33, vehicle on roadway 622' from DER, left and right of centerline, up to 15' AGL/966' MSL.

Trees beginning 744' from DER, 636' left of centerline, up to 100' AGL/1059' MSL.

Trees beginning 861' from DER, 269' right of centerline, up to 100' AGL/1049' MSL.

VAN HORN, TX

CULBERSON COUNTY (VHN)

TAKEOFF MINIMUMS AND (OBSTACLE) DEPARTURE PROCEDURES

AMDT 2 15JUN23 (23166) (FAA)

TAKEOFF MINIMUMS:

Rwy 3, std. w/min. climb of 445' per NM to 7400 or 2500-3 for VCOA.

Rwy 7, std. w/min. climb of 445' per NM to 11000 or 2500-3 for VCOA.

Rwy 21, std. w/min. climb of 435' per NM to 12000 or 2500-3 for VCOA.

Rwy 25, std. w/min. climb of 500' per NM to 7800 or 2500-3 for VCOA.

DEPARTURE PROCEDURE:

Rwy 3, climb on heading 035° to 7200 before proceeding on course.

Rwy 7, climb on heading 074° to 7700 before proceeding on course.

Rwy 21, climb on heading 215° to 5200 before proceeding on course.

Rwy 25, climb on heading 254° to 7500 before proceeding on course.

VCOA:

Rwys 3, 7, 21, 25, obtain ATC approval for VCOA when requesting IFR clearance. Climb in visual conditions to cross Culberson County airport at or above 6300 before proceeding on course.

TAKEOFF OBSTACLE NOTES:

Rwy 3, tree, vegetation beginning 16' from DER, 133' right of centerline, up to 11' AGL/3928' MSL.

Trees, vegetation beginning 45' from DER, 147' left of centerline, up to 11' AGL/3929' MSL.

Tree, vehicle on road, vegetation beginning 135' from DER, 389' right of centerline, up to 17' AGL/3930' MSL.

Trees, vehicle on road beginning 248' from DER, 343' right of centerline, up to 18' AGL/3931' MSL.

Rwy 7, trees beginning 60' from DER, 12' right of centerline, up to 100' AGL/4018' MSL.

Trees 119' from DER, 215' left of centerline, 100' AGL/4015' MSL.

Trees beginning 148' from DER, 12' left of centerline, up to 100' AGL/4018' MSL.

Rwy 21, tree, vegetation beginning 49' from DER, 291' right of centerline, up to 10' AGL/3969' MSL.

Vegetation beginning 84' from DER, 404' left of centerline, up to 3961' MSL.

Trees 4132' from DER, 1604' right of centerline, 100' AGL/4090' MSL.

Rwy 25, trees, vehicle on road beginning 12' from DER, 59' right of centerline, up to 100' AGL/4060' MSL.

Trees 791' from DER, 523' right of centerline, 100' AGL/4067' MSL.

Trees 1051' from DER, 548' right of centerline, 100' AGL/4074' MSL.

Trees 1310' from DER, 573' right of centerline, 100' AGL/4077' MSL.

Trees beginning 1340' from DER, 21' right of centerline, up to 100' AGL/4080' MSL.

Trees 1629' from DER, 4' left of centerline, 100' AGL/4077' MSL.

Trees beginning 2060' from DER, 46' right of centerline, up to 100' AGL/4083' MSL.

Trees 2178' from DER, 255' left of centerline, 100' AGL/4080' MSL.

Trees beginning 2320' from DER, 71' right of centerline, up to 100' AGL/4090' MSL.

Trees beginning 2438' from DER, 229' left of centerline, up to 100' AGL/4083' MSL.

Trees beginning 2579' from DER, 97' right of centerline, up to 100' AGL/4093' MSL.

Trees beginning 2697' from DER, 178' left of centerline, up to 100' AGL/4090' MSL.

Trees beginning 2839' from DER, 122' right of centerline, up to 100' AGL/4100' MSL.

Trees beginning 3217' from DER, 153' left of centerline, up to 100' AGL/4093' MSL.

CON'T

TAKEOFF MINIMUMS, (OBSTACLE) DEPARTURE PROCEDURES, AND DIVERSE VECTOR AREA (RADAR VECTORS)

23334

SC-3

TAKEOFF MINIMUMS, (OBSTACLE) DEPARTURE PROCEDURES, AND DIVERSE VECTOR AREA (RADAR VECTORS)

23334

VAN HORN, TX (CON'T)

CULBERSON COUNTY (VHN) (CON'T)

Rwy 25 (CON'T), trees beginning 3477' from DER, 77' left of centerline, up to 100' AGL/4097' MSL.

Trees beginning 3589' from DER, 198' right of centerline, up to 100' AGL/4103' MSL.

Trees beginning 4108' from DER, 249' right of centerline, up to 100' AGL/4110' MSL.

Trees beginning 4256' from DER, 51' left of centerline, up to 100' AGL/4100' MSL.

Trees beginning 4368' from DER, 24' right of centerline, up to 100' AGL/4113' MSL.

Trees beginning 4515' from DER, 1' left of centerline, up to 100' AGL/4106' MSL.

Trees beginning 5377' from DER, 75' right of centerline, up to 100' AGL/4116' MSL.

Trees beginning 5584' from DER, 226' left of centerline, up to 100' AGL/4110' MSL.

Trees 5637' from DER, 1910' right of centerline, 100' AGL/4120' MSL.

Trees beginning 5666' from DER, 100' right of centerline, up to 100' AGL/4123' MSL.

Trees beginning 5844' from DER, 175' left of centerline, up to 100' AGL/4116' MSL.

Trees beginning 5897' from DER, 125' right of centerline, up to 100' AGL/4126' MSL.

Trees beginning 1 NM from DER, 1081' right of centerline, up to 100' AGL/4129' MSL.

WACO, TX

MC GREGOR EXEC (PWG)

TAKEOFF MINIMUMS AND (OBSTACLE) DEPARTURE PROCEDURES AMDT 2 13DEC90 (22139) (FAA)

TAKEOFF MINIMUMS:

Rwys 4, 17, 22, 35, 2000-3 or std. w/min. climb of 280' per NM to 3000.

DEPARTURE PROCEDURE:

Rwys 17, 22, climb via ACT R-195 to 3000 before proceeding on course.

Rwys 4, 35, climb runway heading to 3000 before proceeding on course.

WACO, TX (CON'T)

TSTC WACO (CNW)

TAKEOFF MINIMUMS AND (OBSTACLE) DEPARTURE PROCEDURES ORIG-A 05DEC19 (19339) (FAA)

TAKEOFF OBSTACLE NOTES:

Rwy 17L, terrain 104' from DER, 473' right of centerline, 460' MSL.

Terrain 198' from DER, 467' right of centerline, 464' MSL.

Poles beginning 1123' from DER, 584' left of centerline, up to 45' AGL/493' MSL.

Rwy 17R, vehicles on roads beginning at DER, 365' right of centerline, up to 10' AGL/479' MSL.

Trees beginning 750' from DER, 482' right of centerline, up to 66' AGL/514' MSL.

Trees beginning 870' from DER, 238' right of centerline, up to 81' AGL/530' MSL.

Tree 1239' from DER, 449' left of centerline, 497' MSL.

Tree 1568' from DER, 629' left of centerline, 500' MSL.

Tree 1924' from DER, 73' left of centerline, 512' MSL.

Rwy 35L, aircraft on taxiway at DER, on centerline, 65' AGL/532' MSL.

Aircraft on taxiway 783' from DER, 478' left of centerline, 65' AGL/534' MSL.

Aircraft on taxiway 808' from DER, 315' right of centerline, 65' AGL/518' MSL.

Tree 2349' from DER, 669' left of centerline, 537' MSL.

Tree 2877' from DER, 1044' left of centerline, 539' MSL.

Rwy 35R, tree 2082' from DER, 897' left of centerline, 523' MSL.

WACO RGNL (ACT)

TAKEOFF MINIMUMS AND (OBSTACLE) DEPARTURE PROCEDURES ORIG 23SEP10 (10266) (FAA)

TAKEOFF OBSTACLE NOTES:

Rwy 1, rising terrain beginning 11' from DER, 34' right of centerline, up to 504' MSL.

Pole 1170' from DER, 593' left of centerline, 34' AGL/534' MSL.

Tree 1674' from DER, 794' right of centerline, 80' AGL/581' MSL.

Rwy 19, rod 590' from DER, 257' right of centerline, 40' AGL/524' MSL.

Rwy 32, trees beginning 501' from DER, 17' left of centerline, up to 70' AGL/567' MSL.

Trees beginning 836' from DER, 30' right of centerline, up to 80' AGL/609' MSL.

22 FEB 2024 to 21 MAR 2024

22 FEB 2024 to 21 MAR 2024

TAKEOFF MINIMUMS, (OBSTACLE) DEPARTURE PROCEDURES, AND DIVERSE VECTOR AREA (RADAR VECTORS)

23334

SC-3

TAKEOFF MINIMUMS, (OBSTACLE) DEPARTURE PROCEDURES, AND DIVERSE VECTOR AREA (RADAR VECTORS)

23334

WESLACO, TX

MID VALLEY (TXW)

TAKEOFF MINIMUMS AND (OBSTACLE) DEPARTURE PROCEDURES

AMDT 1 02MAR17 (17061) (FAA)

DEPARTURE PROCEDURE:

Rwy 14, climbing left turn heading 360° to 1800 before proceeding on course.

TAKEOFF OBSTACLE NOTES:

Rwy 14, road, fence, sign, tree, bldg, beginning 4' from DER, 174' left of centerline, up to 84' MSL.

Road, fence, beginning 18' from DER, 442' right of centerline, up to 82' MSL.

Road 71' from DER, 502' right of centerline, 83' MSL.

Tree, flagpole, road, pole, beginning 94' from DER, 421' left of centerline, up to 26' AGL/90' MSL.

Flagpole, road, beginning 110' from DER, 373' left of centerline, up to 31' AGL/96' MSL.

Tree, road, fence, beginning 161' from DER, 429' left of centerline, up to 33' AGL/98' MSL.

Pole, beginning 220' from DER, 408' left of centerline, up to 32' AGL/99' MSL.

Pole, tree, beginning 242' from DER, 412' left of centerline, up to 34' AGL/101' MSL.

Light pole, beginning 284' from DER, 462' left of centerline, up to 38' AGL/103' MSL.

Pole, tree, lt pole, beginning 289' from DER, 349' left of centerline, up to 37' AGL/105' MSL.

Pole, tree, lt pole, beginning 360' from DER, 307' left of centerline, up to 39' AGL/106' MSL.

Pole 499' from DER, 475' right of centerline, 31' AGL/98' MSL.

Pole 499' from DER, 471' right of centerline, 30' AGL/99' MSL.

Tower, tree, pole, lt pole, ant, flagpole, bldg, beginning 511' from DER, 264' left of centerline, up to 60' AGL/131' MSL.

Catenary, road, pole, beginning 520' from DER, 468' right of centerline, up to 33' AGL/100' MSL.

Pole, tree, beginning 546' from DER, 337' right of centerline, up to 33' AGL/101' MSL.

Tree, lt pole, catenary, beginning 745' from DER, 268' right of centerline, up to 42' AGL/108' MSL.

Antenna, pole, catenary, beginning 1422' from DER, 437' right of centerline, up to 59' AGL/127' MSL.

Flagpole, pole, beginning 1711' from DER, 763' right of centerline, up to 75' AGL/142' MSL.

Rwy 32, road, fence, beginning 17' from DER, 345' left of centerline, up to 82' MSL.

Tree 64' from DER, 510' left of centerline, 29' AGL/95' MSL.

Tree 69' from DER, 496' left of centerline, 32' AGL/97' MSL.

Pole 109' from DER, 524' left of centerline, 33' AGL/100' MSL.

Pole, road, tree, bldg, beginning 111' from DER, 261' left of centerline, up to 38' AGL/103' MSL.

Road, beginning 562' from DER, 396' right of centerline, up to 87' MSL.

Road 630' from DER, 391' right of centerline, 88' MSL.

Road, beginning 659' from DER, 75' right of centerline, up to 89' MSL.

Trees, beginning 881' from DER, 571' left of centerline, up to 40' AGL/106' MSL.

WINK, TX

WINKLER COUNTY (INK)

TAKEOFF MINIMUMS AND (OBSTACLE) DEPARTURE PROCEDURES

ORIG-A 10MAR11 (11069) (FAA)

DEPARTURE PROCEDURE:

Rwy 13, climb heading 147° to 3400 before proceeding on course.

TAKEOFF OBSTACLE NOTES:

Rwy 4, power lines beginning 524' from DER, right and left of centerline, up to 30' AGL/2829' MSL.

Trees beginning 742' from DER, right and left of centerline, up to 50' AGL/2859' MSL.

Rwy 13, trees beginning 133' from DER, 307' right of centerline, up to 50' AGL/2822' MSL.

Vehicles on road beginning 535' from DER, right and left of centerline, up to 15' AGL/2829' MSL.

Rwy 31, trees beginning 49' from DER, 396' left of centerline, up to 50' AGL/2832' MSL.

Trees beginning 1563' from DER, 585' right of centerline, up to 50' AGL/2874' MSL.

WINTERS, TX

WINTERS MUNI (77F)

TAKEOFF MINIMUMS AND (OBSTACLE) DEPARTURE PROCEDURES

ORIG 25AUG11 (11237) (FAA)

TAKEOFF OBSTACLE NOTES:

Rwy 17, multiple trees and fence beginning 428' from DER, 45' left of centerline, up to 25' AGL/1914' MSL.

Multiple trees and terrain beginning 110' from DER, 188' right of centerline, up to 12' AGL/1895' MSL.

YOAKUM, TX

YOAKUM MUNI (T85)

TAKEOFF MINIMUMS AND (OBSTACLE) DEPARTURE PROCEDURES

ORIG 10MAR11 (11069) (FAA)

TAKEOFF OBSTACLE NOTES:

Rwy 13, vehicle on road, 179' from DER, 237' left of centerline, up to 15' AGL/364' MSL.

Rwy 31, vehicle on road, 77' from DER, 257' right of centerline, up to 15' AGL/384' MSL.

22 FEB 2024 to 21 MAR 2024

22 FEB 2024 to 21 MAR 2024

TAKEOFF MINIMUMS, (OBSTACLE) DEPARTURE PROCEDURES, AND DIVERSE VECTOR AREA (RADAR VECTORS)

23334

SC-3

**TAKEOFF MINIMUMS, (OBSTACLE) DEPARTURE PROCEDURES, AND
DIVERSE VECTOR AREA (RADAR VECTORS)**

23334

YOAKUM DEFRENN AHP (KHLR)

FORT CAVAZOS, TX

TAKEOFF MINIMUMS AND (OBSTACLE) DEPARTURE PROCEDURES

AMDT 3 05OCT23 (23278) (USA)

TAKEOFF MINIMUMS:

Rwys 16, 34, climb of 400' per NM, for copter use only.

TAKEOFF OBSTACLE NOTES:

Rwy 34, bldgs beginning 538' from DER, 588' left of centerline, up to 50' AGL/967' MSL.

DIVERSE VECTOR AREA (RADAR VECTORS)

ORIG 05OCT23 (23278) (USA)

Rwys 16, 34, climb of 400' per NM, as assigned by ATC.

22 FEB 2024 to 21 MAR 2024

22 FEB 2024 to 21 MAR 2024

**TAKEOFF MINIMUMS, (OBSTACLE) DEPARTURE PROCEDURES, AND
DIVERSE VECTOR AREA (RADAR VECTORS)**

23334

SC-3