

WAAS CH 93707 W13A	APP CRS 130°	Rwy Idg 5000 TDZE 2503 Apt Elev 2503
--	------------------------	---

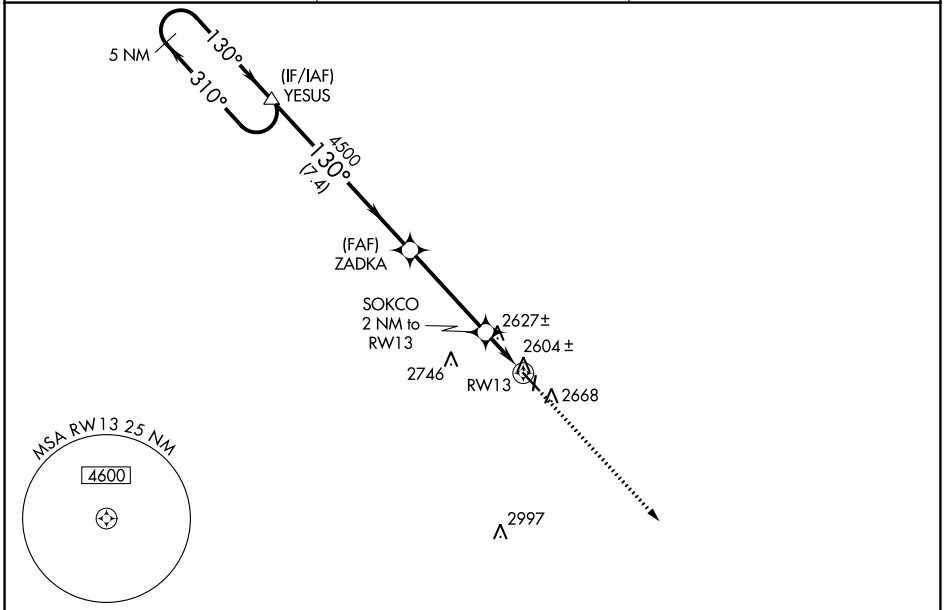
RNAV (GPS) RWY 13

COZAD MUNI (CZD)

⚠ NA Circling NA to Rwy 18 and 36. Baro-VNAV NA. DME/DME RNP-0.3 NA.
 Use Lexington altimeter setting; when not received, use North Platte altimeter setting and increase all DAs 79 feet and LPV and LNAV/VNAV visibility ¼ mile all Cats, increase all MDAs 80 feet and Circling Cat C visibility ¼ mile. Helicopter visibility reduction below ¾ SM NA.

MISSED APPROACH: Climb to 5500 direct TOKKU and hold.

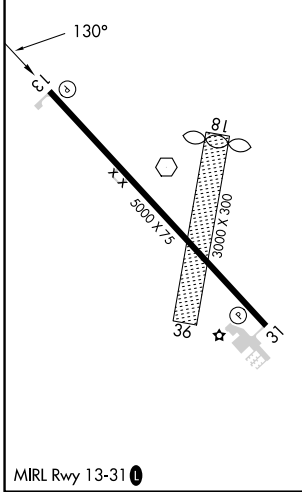
LXN AWOS-3 121.025	DENVER CENTER 132.7 226.675	UNICOM 122.8 (CTAF) 0
------------------------------	---------------------------------------	---------------------------------



NC-2, 22 FEB 2024 to 21 MAR 2024

NC-2, 22 FEB 2024 to 21 MAR 2024

ELEV 2503	TDZE 2503
------------------	------------------



5 NM Holding Pattern YESUS		5500 TOKKU ↑ *LNAV only.		
5000 ← 310° → 130°		ZADKA SOKCO 2 NM to RWY 13 RWY 13		
GP 3.00° TCH 52		*3180		
← 7.4 NM →		← 4 NM → ← 2 NM →		
CATEGORY	A	B	C	D
LPV DA	2875-1¼ 372 (400-1¼)			NA
LNAV/VNAV DA	2913-1½ 410 (500-1½)			NA
LNAV MDA	2920-1	417 (500-1)	2920-1¼ 417 (500-1¼)	NA
C CIRCLING	3080-1	577 (600-1)	3140-1¾ 637 (700-1¾)	NA

RNAV (GPS) RWY 31

COZAD MUNI (CZD)

APP CRS 310°	Rwy Idg TDZE Apt Elev	5000 2501 2503
------------------------	-----------------------------	---

RNP APCH.

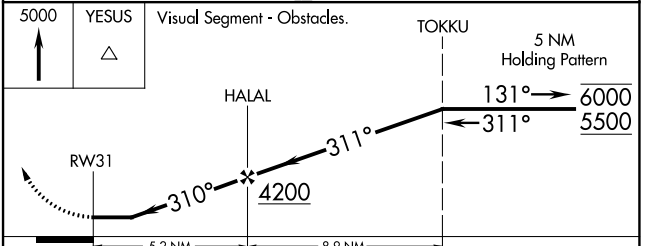
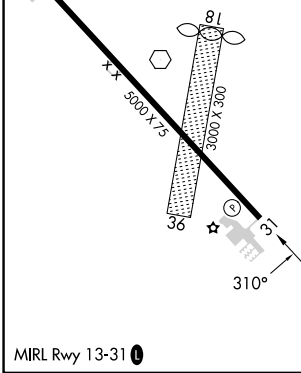
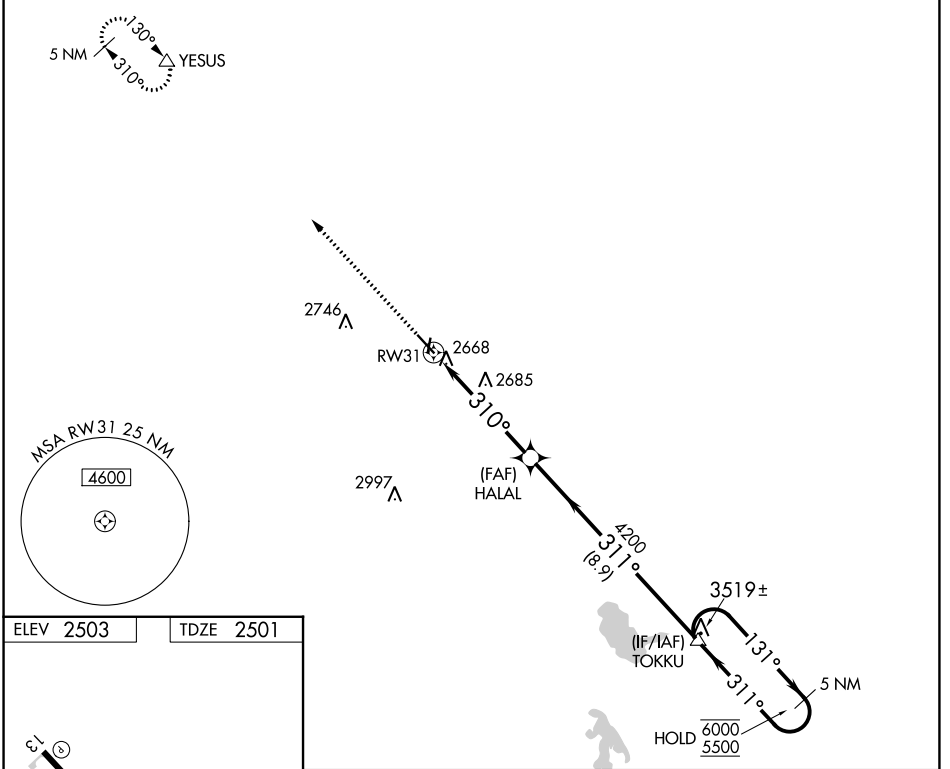
⚠ Circling NA to Rwy 18 and 36. Rwy 31 helicopter visibility reduction below 3/4 SM NA. Use
 ⚠ NA Lexington altimeter setting; when not received, use North Platte altimeter setting and increase all MDAs 80 feet, increase LNAV Cat C visibility 1/4 SM and Circling Cat C visibility 1/4 SM.

MISSED APPROACH: Climb to 5000 direct YESUS and hold.

LXN AWOS-3
121.025

DENVER CENTER
132.7 226.675

UNICOM
122.8 (CTAF) 0



CATEGORY	A	B	C	D
LNAV MDA	3040-1	539 (600-1)	3040-1½ 539 (600-1½)	NA
<input checked="" type="checkbox"/> CIRCLING	3080-1	577 (600-1)	3140-1¾ 637 (700-1¾)	NA

NC-2, 22 FEB 2024 to 21 MAR 2024

NC-2, 22 FEB 2024 to 21 MAR 2024

VOR OZB 109.0	APP CRS 123°	Rwy ldg 5000
		TDZE 2503
		Apt Elev 2503

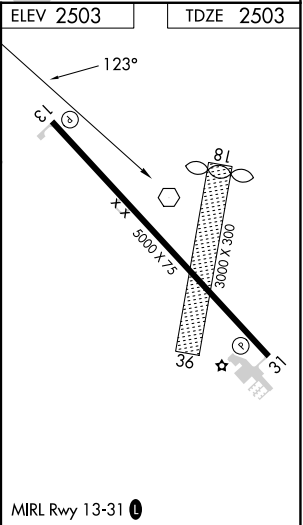
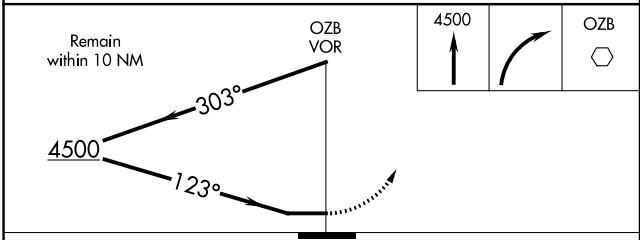
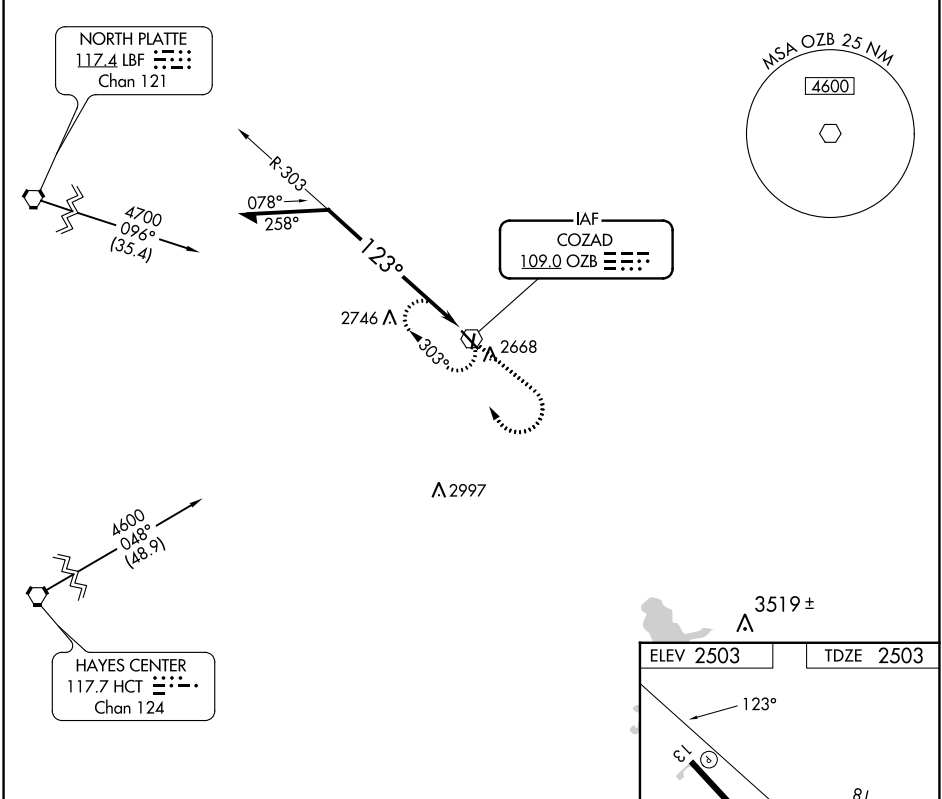
VOR RWY 13

COZAD MUNI (CZD)

▼ Use Lexington altimeter setting; when not received, use North Platte altimeter setting and increase all MDAs 80 feet, increase Circling Cat C visibility ¼ SM. Circling NA to Rwys 18 and 36. Rwy 13 helicopter visibility reduction below ¾ SM NA.

MISSED APPROACH: Climb to 4500 then right turn direct OZB VOR and hold.

LXN AWOS-3 121.025	DENVER CENTER 132.7 226.675	UNICOM 122.8 (CTAF) ①
------------------------------	---------------------------------------	---------------------------------



CATEGORY	A	B	C	D
S-13	3140-1	637 (700-1)	3140-1¾ 637 (700-1¾)	NA
C CIRCLING	3140-1	637 (700-1)	3140-1¾ 637 (700-1¾)	NA