

APP CRS	Rwy Idg	<b>3204</b>
<b>246°</b>	TDZE	<b>2098</b>
	Apt Elev	<b>2099</b>

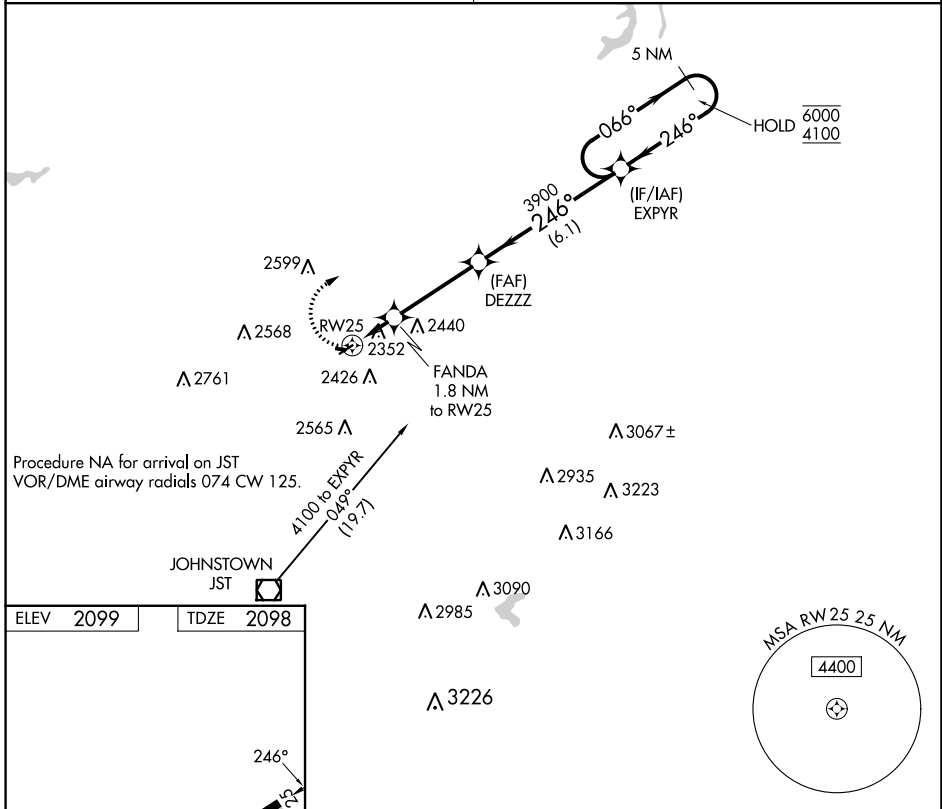
# RNAV (GPS) RWY 25

EBENSBURG (9G8)

RNP APCH - GPS.		MISSED APPROACH: Climbing right turn to 4100 direct EXPYR and hold.
<p><b>⚠</b> Procedure NA at night. Rwy 25 helicopter visibility reduction below 1 SM NA.</p> <p><b>⚠</b> Obtain local altimeter setting on CTAF; when not received, use Johnstown altimeter setting and increase all MDA 60 feet and visibility Cat C ¼ SM.</p>		

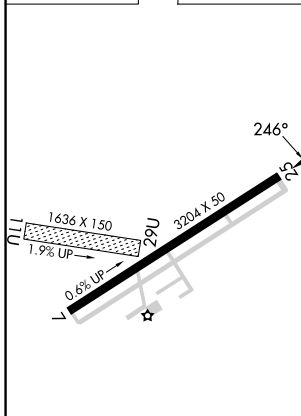
JOHNSTOWN APP CON ★  
**121.2 299.2**

UNICOM  
**122.8 (CTAF) 0**



Procedure NA for arrival on JST VOR/DME airway radials 074 CW 125.

ELEV	2099	TDZE	2098
------	------	------	------



MIRL Rwy 7-25 0	4100	EXPYR	Visual Segment - Obstacles.		5 NM Holding Pattern
CATEGORY	A	B	C	D	
LNAV MDA	2620-1	522 (600-1)	2620-1½ 522 (600-1½)	NA	

NE-4, 22 FEB 2024 to 21 MAR 2024

NE-4, 22 FEB 2024 to 21 MAR 2024

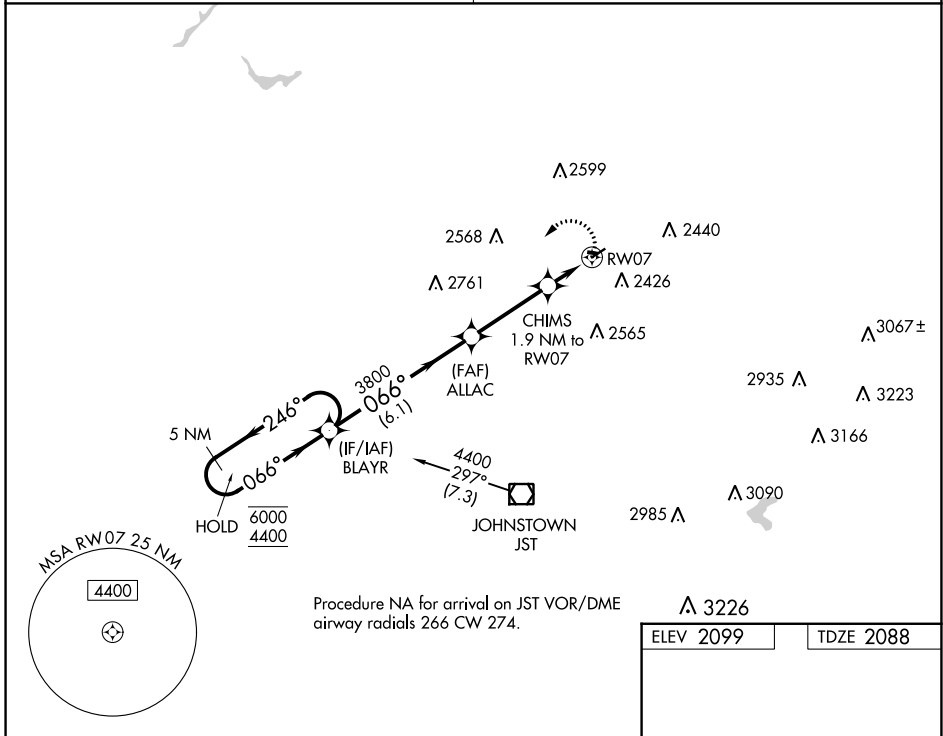
APP CRS	Rwy Idg	<b>3204</b>
<b>066°</b>	TDZE	<b>2088</b>
	Apt Elev	<b>2099</b>

# RNAV (GPS) RWY 7

EBENSBURG (9G8)

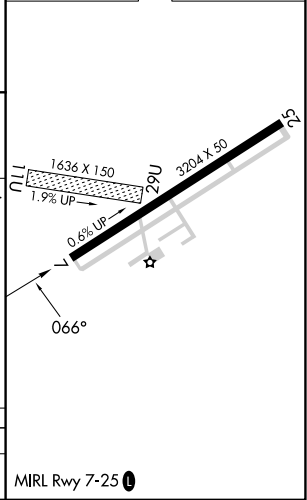
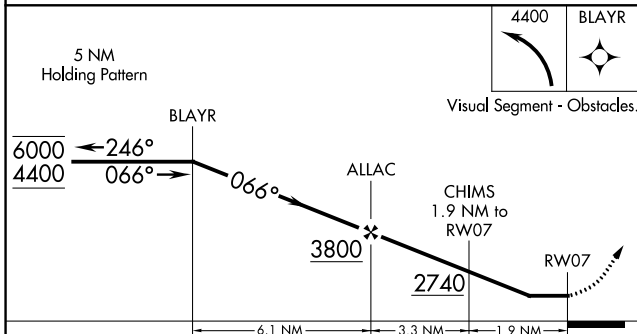
RNP APCH - GPS.	<p><b>⚠</b> Procedure NA at night. Rwy 7 helicopter visibility reduction below 1 SM NA. Obtain local altimeter setting on CTAF; when not received, use Johnstown altimeter setting and increase all MDAs 60 feet and visibility Cat C ¼ SM.</p>	<p>MISSED APPROACH: Climbing left turn to 4400 direct BLAYR and hold.</p>
-----------------	---	---

JOHNSTOWN APP CON ★	UNICOM
<b>121.2 299.2</b>	<b>122.8 (CTAF) 0</b>



Procedure NA for arrival on JST VOR/DME airway radials 266 CW 274.

ELEV 2099	TDZE 2088
-----------	-----------



CATEGORY	A	B	C	D
LNAV MDA	2600-1	512 (600-1)	2600-1½ 512 (600-1½)	NA

NE-4, 22 FEB 2024 to 21 MAR 2024

NE-4, 22 FEB 2024 to 21 MAR 2024