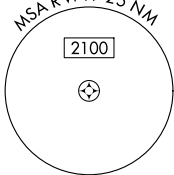
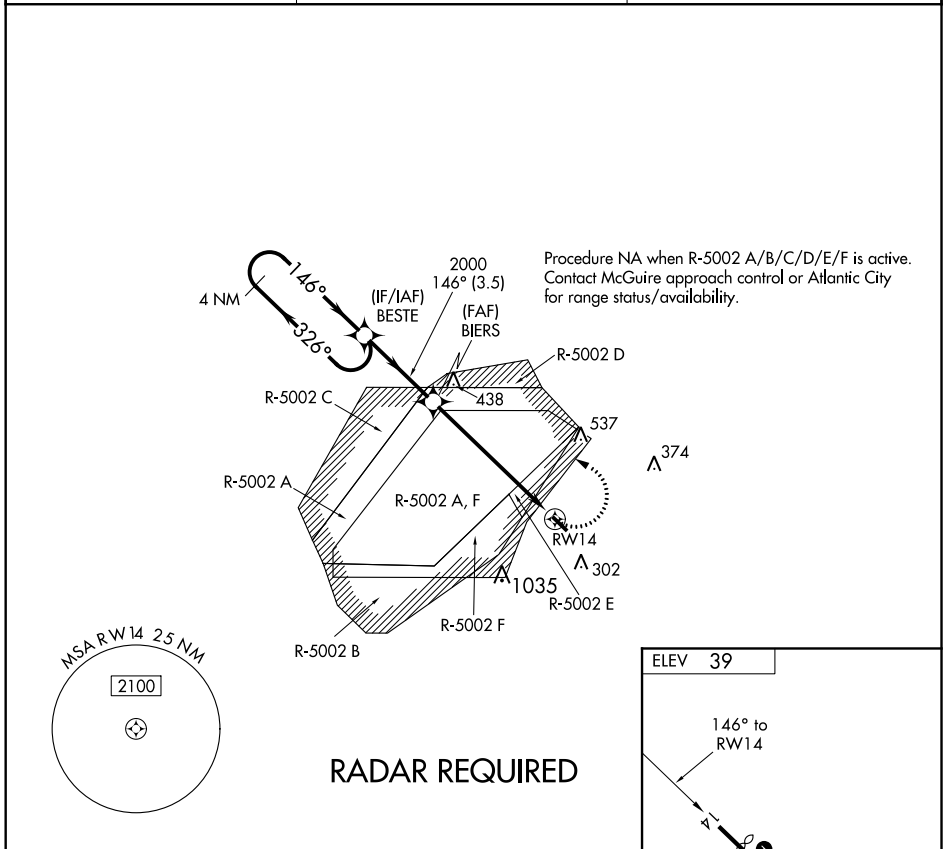


APP CRS	Rwy Idg	N/A
146°	TDZE	N/A
	Apt Elev	39

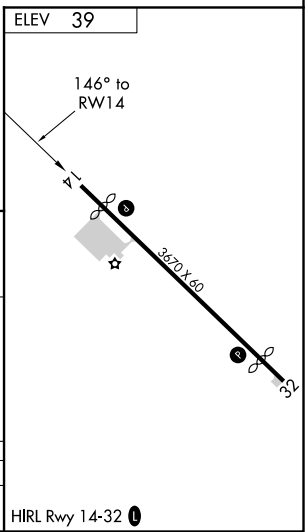
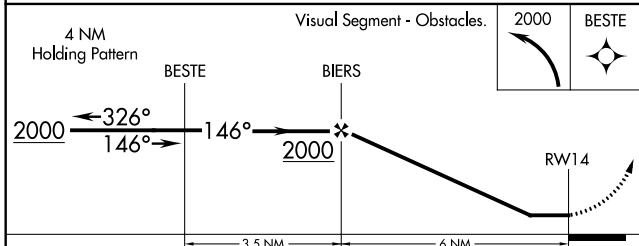
RNAV (GPS)-A

EAGLES NEST (31E)

<p>▼ DME/DME RNP-0.3 NA. Procedure NA at night. Use Toms River altimeter setting; when not received use Atlantic City altimeter setting. Helicopter visibility reduction below 1 SM NA.</p> <p>▲ NA</p>	<p>MISSED APPROACH: Climbing left turn to 2000 direct BESTE and hold.</p>	
<p>MIX AWOS-3PT 119.875</p>	<p>ATLANTIC CITY APP CON 134.25 292.2</p>	<p>CTAF 122.9</p>



RADAR REQUIRED



CATEGORY	A	B	C	D
CIRCLING	680-1 641 (700-1)	700-1 661 (700-1)	NA	

NE-2, 17 JUN 2021 to 15 JUL 2021

NE-2, 17 JUN 2021 to 15 JUL 2021

APP CRS 326°	Rwy Idg TDZE Apt Elev	N/A N/A 39
------------------------	-----------------------------	---------------------------------------

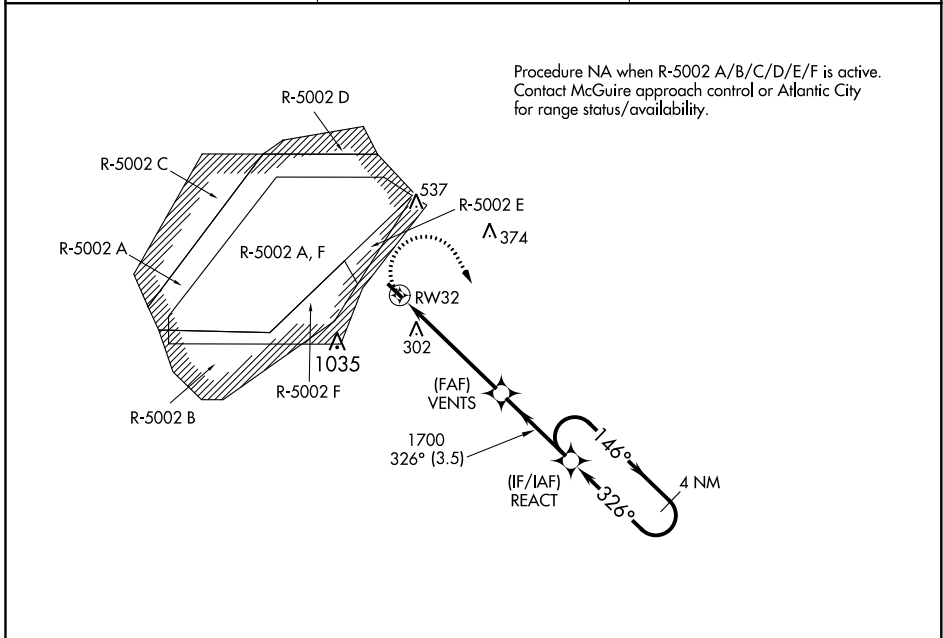
RNAV (GPS)-B

EAGLES NEST (31E)

NA DME/DME RNP-0.3 NA. Procedure NA at night. Use Toms River altimeter setting; when not received use Atlantic City altimeter setting. Helicopter visibility reduction below 1 SM NA.

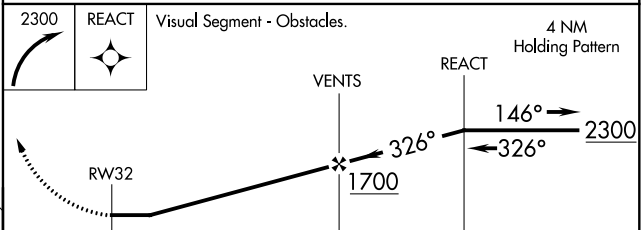
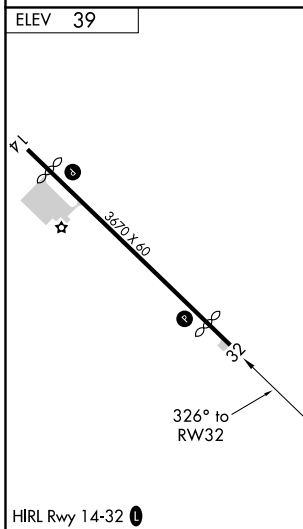
MISSED APPROACH: Climbing right turn to 2300 direct REACT and hold.

MUX AWOS-3PT 119.875	ATLANTIC CITY APP CON 134.25 292.2	CTAF 122.9 0
--------------------------------	--	------------------------



NE-2, 17 JUN 2021 to 15 JUL 2021

NE-2, 17 JUN 2021 to 15 JUL 2021



CATEGORY	A	B	C	D
CIRCLING	680-1 641 (700-1)	700-1 661 (700-1)	NA	