

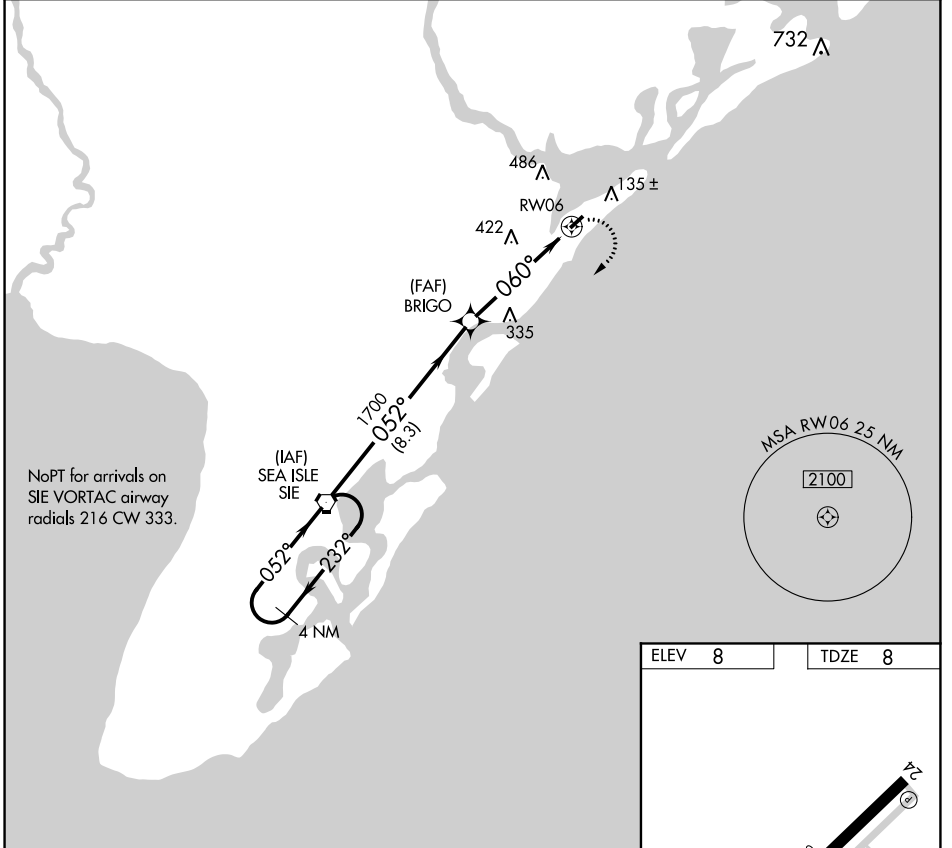
APP CRS	Rwy Idg	<b>2972</b>
<b>060°</b>	TDZE	<b>8</b>
	Apt Elev	<b>8</b>

# GPS RWY 6

OCEAN CITY MUNI (26N)

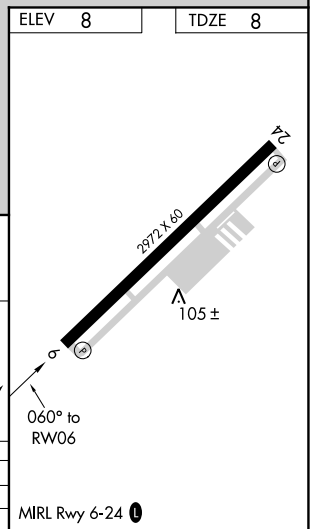
<b>▲ NA</b>	When local altimeter setting not received, use Atlantic City altimeter setting.	MISSED APPROACH: Climbing right turn to 2000 direct SIE VORTAC and hold.	
-------------	---	--	--

AWOS-AV <b>119.775</b>	ATLANTIC CITY APP CON <b>124.6 327.125</b>	CLNC DEL <b>133.6</b>	UNICOM <b>122.7 (CTAF) 0</b>
---------------------------	---	--------------------------	---------------------------------



NE-2, 17 JUN 2021 to 15 JUL 2021

NE-2, 17 JUN 2021 to 15 JUL 2021



4 NM Holding Pattern	SIE VORTAC	BRIGO	RWY06	
2000 ← 232°	052° →	052°	060°	
	8.3 NM	5 NM		
CATEGORY	A	B	C	D
S-6	680-1 672 (700-1)		NA	
CIRCLING	680-1 672 (700-1)		NA	